

0CNP4-M48000EN

Contents

Fig. No. Fig. Name

ENGINE RELATED SECTION

1. ENGINE RELATED

DRIVE TRAVEL SECTION

2. TENSION CLUTCH

3. ENGINE PULLEY & BELT

4. TRAVEL DRIVE

5. BRAKE

6. REDUCTION GEAR & AXLE

CONTROL SECTION

7. HANDLE

8. CONTROL PANEL

9. DEAD MAN LEVER

10. CLUTCH & CLUTCH LOCK

11. CHANGE LEVER

12. CHANGE ROD

13. CHUTE LEVER

14. CHUTE HANDLE

CHASSIS,COVER & TIRE SECTION

15. CHASSIS FRAME

16. BELT & GEAR COVER

17. TIRE

Fig. No. Fig. Name

ELECTRICAL PARTS SECTION

18. BATTERY

19. HARNESS & SWITCH

20. HARNESS & SWITCH

SNOW REMOVING SECTION

21. SNOW REMOVING FRAME

22. AUGER COVER

23. CHUTE

24. GEAR CASE

25. AUGER & BLOWER

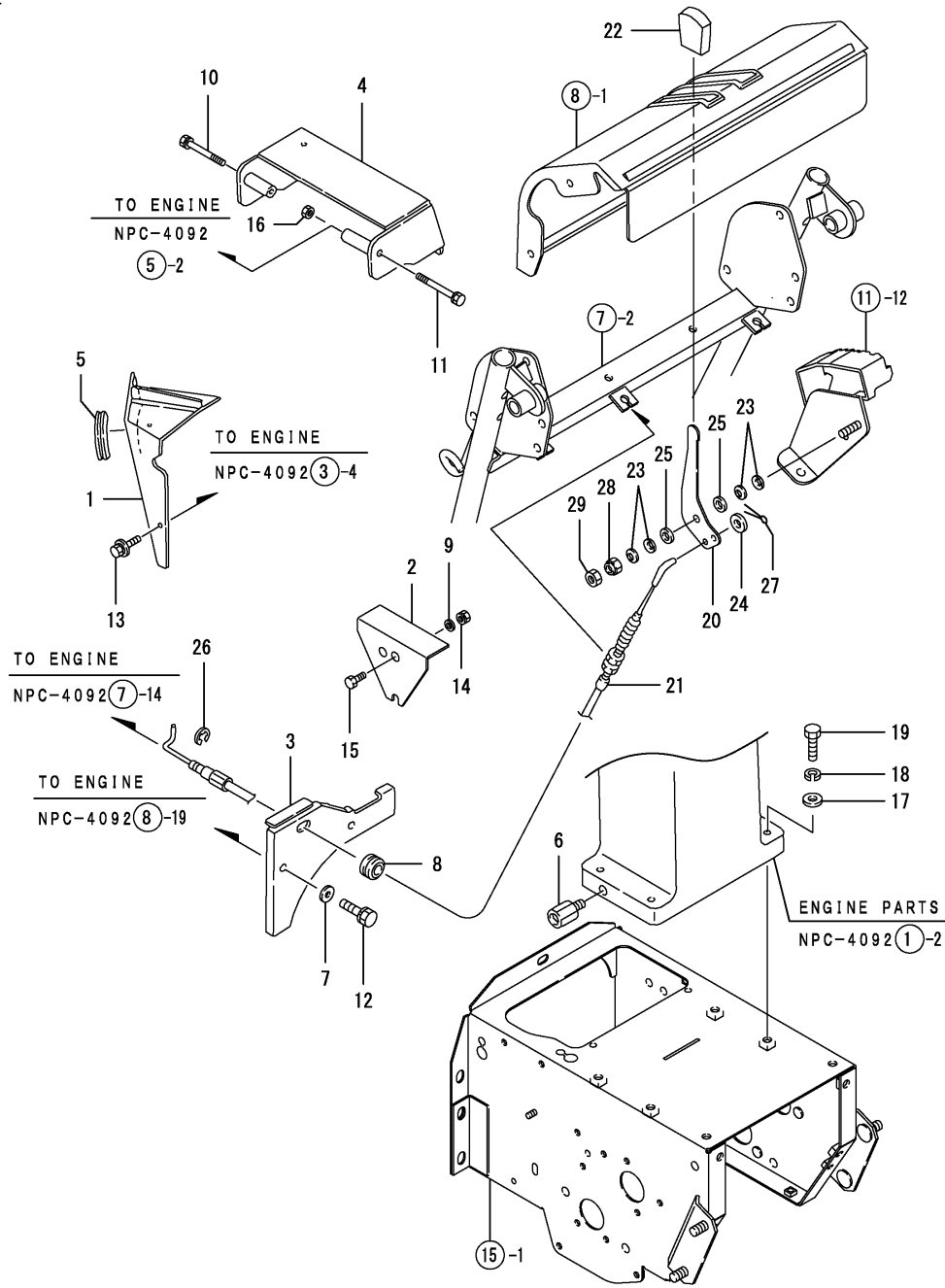
LABELS & ACCESSORIES SECTION

26. LABELS

27. LABELS(SAFETY)

28. TOOLS & ACCESSORIES

Fig.1. ENGINE RELATED

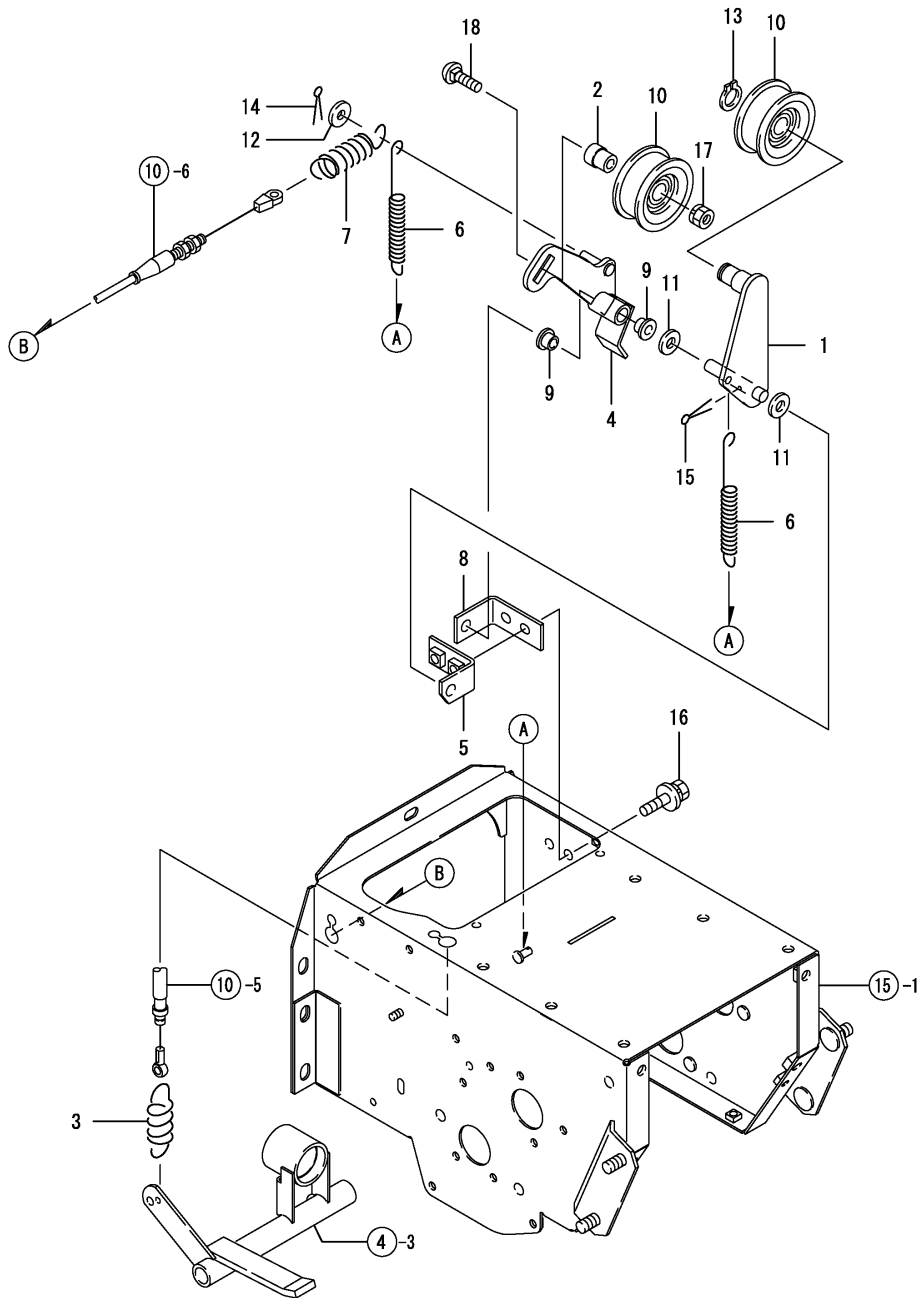


(A)=YSR70W
(B)=YSR70W-S
(C)=

(D)=
(E)=
(F)=

No.	Lev.	Parts No.	Description	Q'ty						I	R
				(A)	(B)	(C)	(D)	(E)	(F)		
1	1	1N1713-00040-1	COVER B COMP.,AUX.	1	1						
2	1	1N3300-00050-1	GUARD,MUFFLER	1	1						
3	1	1N1713-00080-1	COVER A COMP.,AUX.	1	1						
4	1	1N1713-00100	COVER COMP.,BRACKET	1	1						
5	1	1N1713-00170	MOLDINGS 55	1	1						
6	1	1N3021-00250	JOINT,WASTE OIL	1	1						
7	1	1J3999-02010	WASHER 6	2	2						
8	1	194080-58820	GROMMET, 15	1	1						
9	1	22137-060000	WASHER, 6	1	1						
10	1	26013-060504	BOLT, M6X 50	1	1						
11	1	26013-060554	BOLT, M6X 55	1	1						
12	1	26016-060204	BOLT M 6X 20	2	2						
13	1	26018-060124	BOLT M 6X 12	2	2						
14	1	26051-060002	NUT, M6	1	1						
15	1	26117-060122	BOLT M 6X 12 PLATED	1	1						
16	1	26717-060002	NUT, M6	2							
17	1	22137-080000	WASHER, 8	4	4						
18	1	22217-080000	WASHER, SPRING 8	4	4						
19	1	26116-080352	BOLT, M8X 35 PLATED	4	4						
20	1	1N3390-02100-1	LEVER,ACCEL	1	1						
21	1	1N3310-02150	WIRE ASSY, THROTTLE	1	1						
22	1	194273-47910	KNOB, LEVER	1	1						
23	1	1N1570-51130	SPRING,BELLEVILLE	4	4						
24	1	22117-060000	WASHER, 6	1	1						
25	1	22137-080000	WASHER, 8	2	2						
26	1	22272-000050	RING, E- 5	1	1						
27	1	22417-200100	COTTER PIN 2.0X10	1	1						
28	1	26347-080002	NUT, M8	1	1						
29	1	26717-080002	NUT, M8	1	1						

Fig.2. TENSION CLUTCH

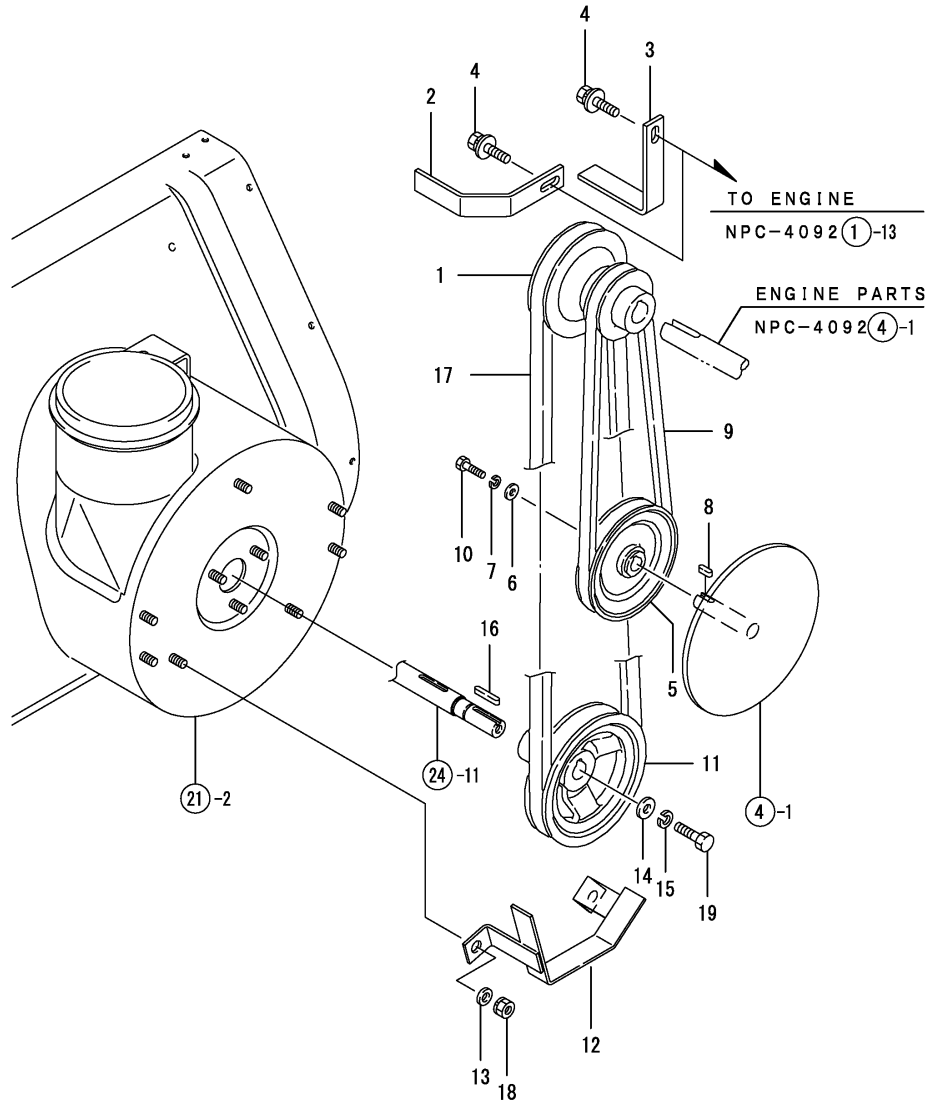


(A)=YSR70W
(B)=YSR70W-S
(C)=

(D)=
(E)=
(F)=

No.	Lev.	Parts No.	Description	Q'ty						I	R
				(A)	(B)	(C)	(D)	(E)	(F)		
1	1	1N3440-11000	TENSION, TRAVEL	1	1						
2	1	1N3440-11050	SHAFT, PULLEY	1	1						
3	1	1N3300-11080	SPRING 20X64	1	1						
4	1	1N3440-11100	TENSION, WORK	1	1						
5	1	1N3810-11200	FULCRUM, TENSION	1	1						
6	1	1N3810-11250	SPRING, 12X130	2	2						
7	1	1N3440-11270	SPRING, 17.5X66	1	1						
8	1	1N3810-11300	FULCRUM, TENSION B	1	1						
9	1	1N3021-31580	BUSH 10X15,FLANGED	2	2						
10	1	1E7030-51301-1	ROLLER ASSY, TENSION	2	2						
11	1	22137-100000	WASHER, 10	2	2						
12	1	22157-060000	WASHER, 6	1	1						
13	1	22242-000150	RING, 15	1	1						
14	1	22417-160100	COTTER PIN	1	1						
15	1	22417-200160	PIN, COTTER 2.0X16	1	1						
16	1	26018-080162	BOLT, M8X 16	2	2						
17	1	26051-080002	NUT, M8	1	1						
18	1	26487-080352	BOLT, M8X35	1	1						

Fig.3. ENGINE PULLEY & BELT

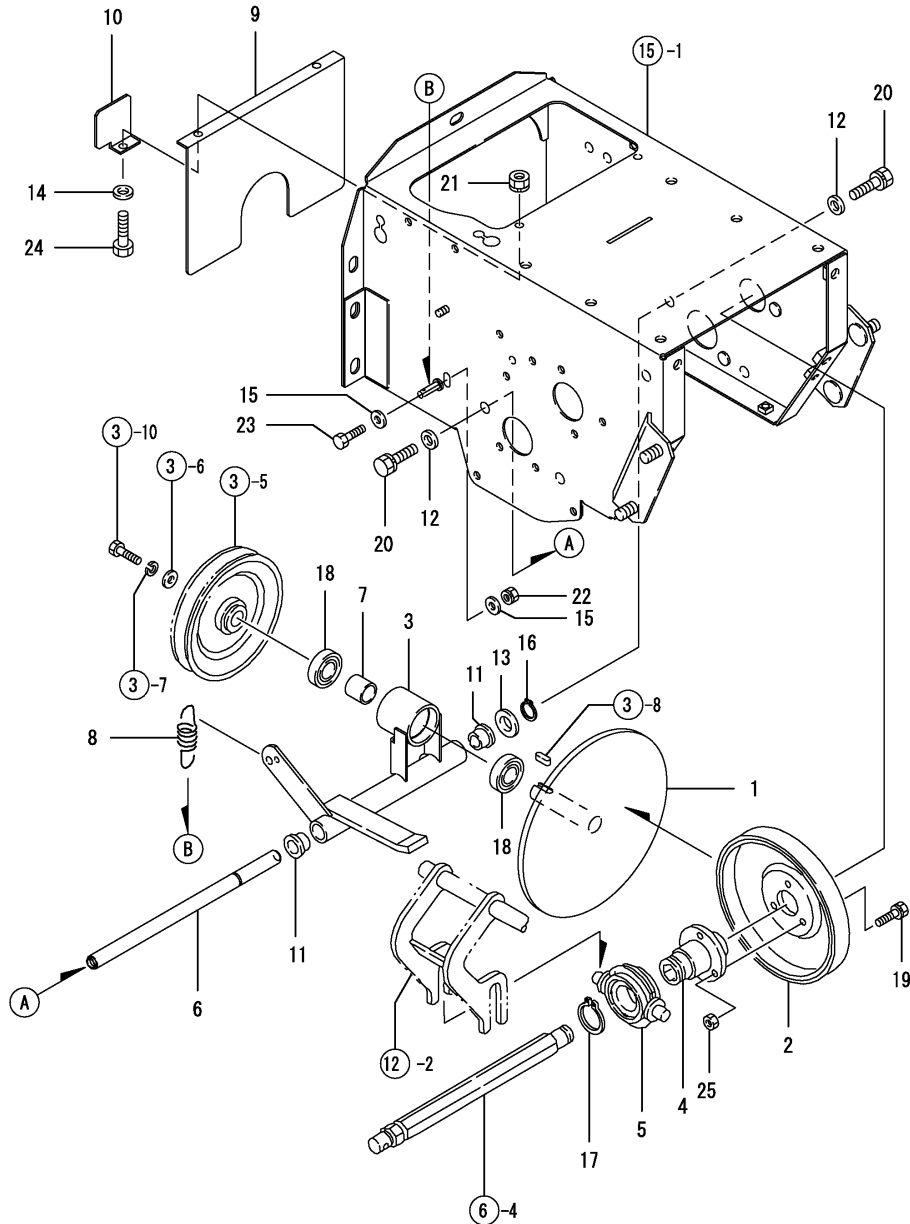


(A)=YSR70W
(B)=YSR70W-S
(C)=

(D)=
(E)=
(F)=

No.	Lev.	Parts No.	Description	Q'ty						I	R
				(A)	(B)	(C)	(D)	(E)	(F)		
1	1	1N3310-12000-1	ENGINE PULLEY (7W)	1	1						
2	1	1N3300-12101-1	RETAINER A,BELT	1	1						
3	1	1N3300-12150-1	RETAINER B,BELT	1	1						
4	1	26018-080162	BOLT, M8X 16	2	2						
5	1	1N3310-12050-1	PULLEY 108.5A	1	1						
6	1	22157-060000	WASHER, 6	1	1						
7	1	22217-060000	WASHER, SPRING 6	1	1						
8	1	22550-050150	KEY 5X15	1	1						
9	1	25122-002601	V-BELT, A26H	1	1						
10	1	26116-060162	BOLT, M6X 16 PLATED	1	1						
11	1	1N3300-12010-1	PULLEY 133B	1	1						
12	1	1N3300-12201-1	GUIDE, BELT	1	1						
13	1	22137-080000	WASHER, 8	2	2						
14	1	22157-080000	WASHER, 8	1	1						
15	1	22217-080000	WASHER, SPRING 8	1	1						
16	1	22550-050300	KEY 5X30	1	1						
17	1	25123-002901	V-BELT, B29H	1	1						
18	1	26051-080002	NUT, M8	2	2						
19	1	26116-080252	BOLT, M8X 25 PLATED	1	1						

Fig.4. TRAVEL DRIVE



(A)=YSR70W
(B)=YSR70W-S
(C)=

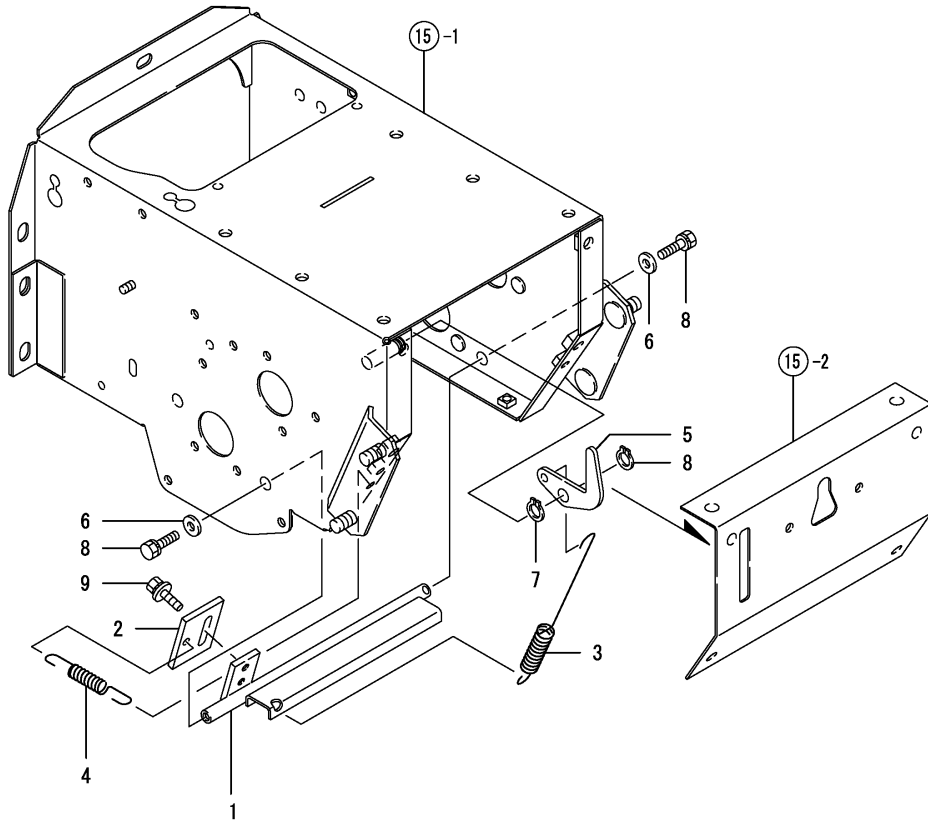
(D)=
(E)=
(F)=

No.	Lev.	Parts No.	Description	Q'ty						I	R
				(A)	(B)	(C)	(D)	(E)	(F)		
1	1	1N3300-21000	PLATE,CHANGE	1	1						
2	1	1N1570-21200	PLATE,FRICTION	1	1						
3	1	1N3300-21201-1	BEARING,PLATE	1	1						
4	1	1N1720-21211	SEAT,FRICTN PL.MTG.	1	1						
5	1	1N1570-21300	SLIDER,CLUTCH	1	1						
6	1	1N3300-21300	PLATE,FULCRUM,JOINT	1	1						
7	1	1N3300-21310	COLLAR 15X19X18	1	1						
8	1	1N3300-21321	SPRING 16X45	1	1						
9	1	1N3300-21400-1	PARTING PLATE,CHASSY	1	1						
10	1	1N3310-21450		1	1						
11	1	1S6000-61220	BUSH,COLLAR	2	2						
12	1	22117-080000	WASHER, 8	2	2						
13	1	22117-120000	WASHER, 12	1	1						
14	1	22137-060000	WASHER, 6	2	2						
15	1	22157-060000	WASHER, 6	2	2						
15-1	1	1J3999-02010	WASHER 6	2	2						N
		(A=F010399) (B=F010399)									
16	1	22242-000120	RING, 12	1	1						
17	1	22242-000250	RING, 25	1	1						
18	1	24104-060024	BEARING, BALL 6002UU	2	2						
19	1	26016-060164	BOLT 6X16 W/L.W.	3	3						
20	1	26016-080164	BOLT M 8X 16	2	2						
21	1	26051-060002	NUT, M6	2	2						
22	1	26051-060002	NUT, M6	1	1						
23	1	26116-060254	BOLT, M6X 25 PLATED	1	1						
24	1	26117-060162	BOLT M 6X 16 PLATED	2	2						
25	1	26717-060002	NUT, M6	3	3						

Fig.5. BRAKE

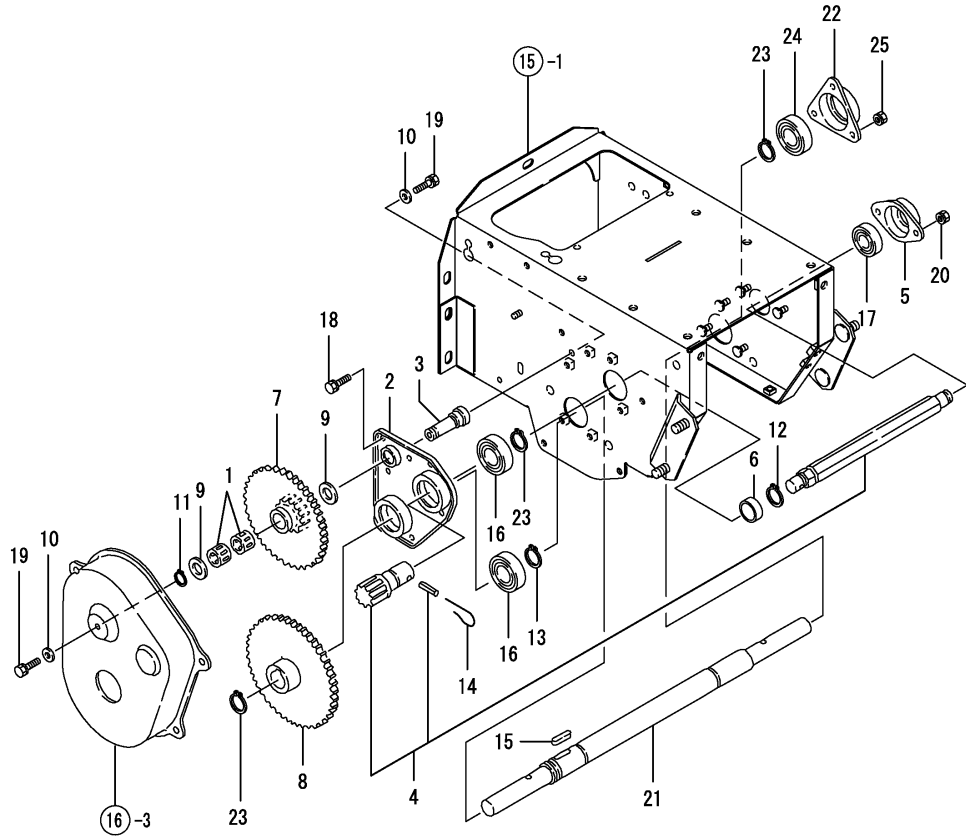
(A)=YSR70W
(B)=YSR70W-S
(C)=

(D)=
(E)=
(F)=



No.	Lev.	Parts No.	Description	Q'ty						I	R
				(A)	(B)	(C)	(D)	(E)	(F)		
1	1	1N3300-22001-1	PLATE, PARKING BRAKE	1	1						
2	1	1N3300-22100-1	STOPPER, BRAKE	1	1						
3	1	1N3400-22150	SPRING, 11X169	1	1						
4	1	1N3300-22170	SPRING 9X82	1	1						
5	1	1N3300-22210	PLATE, BRAKE LEVER	1	1						
6	1	22157-060000	WASHER, 6	2	2						
6-1	1	1J3999-02010	WASHER 6	2	2						N
		(A=F010399) (B=F010399)									
7	1	22242-000100	RING, 10	2	2						
8	1	26016-060162	BOLT, M6X 16	2	2						
9	1	26018-060122	BOLT M 6X 12	2	2						

Fig.6. REDUCTION GEAR & AXLE



(A)=YSR70W
(B)=YSR70W-S
(C)=

(D)=
(E)=
(F)=

No.	Lev.	Parts No.	Description	Q'ty						I	R
				(A)	(B)	(C)	(D)	(E)	(F)		
1	1	1N1570-21600	BEARING	2	2						
2	1	1N3300-23000	JOINT,GEAR,REDUCTION	1	1						
3	1	1N3300-23050	SHAFT,COUNTER	1	1						
4	1	1N3300-23090	PINION GEAR CMP	1	1						
5	1	1F1150-23140	JOINT	1	1						
6	1	1N3300-23180	COLLAR, 20X25X9.5	1	1						
7	1	1N3310-23200	GEAR,COUNTER	1	1						
8	1	1N3310-23300	GEAR,AXLE 84	1	1						
9	1	22117-120000	WASHER, 12	2	2						
10	1	22157-060000	WASHER, 6	2	2						
11	1	22242-000120	RING, 12	1	1						
12	1	22242-000190	RING, 19	1	1						
13	1	22242-000200	RING, 20	1	1						
14	1	22451-160000	WIRE, 1.6	1	1						
15	1	22512-050260	KEY, 5X 26	1	1						
16	1	24104-060044	BEARING, BALL 6004UU	2	2						
17	1	24104-062024	BEARING, BALL 6202UU	1	1						
18	1	26016-060122	BOLT, M6X 12	7	7						
19	1	26016-060162	BOLT, M6X 16	2	2						
20	1	26051-060002	NUT, M6	2	2						
21	1	1N3310-25000-1	AXLE (7W)	1	1						
22	1	1N3300-25100	JOINT 6004	1	1						
23	1	22242-000200	RING, 20	3	3						
24	1	24104-060044	BEARING, BALL 6004UU	1	1						
25	1	26051-060002	NUT, M6	3	3						

Fig.7. HANDLE

(A)=YSR70W
(B)=YSR70W-S
(C)=

(D)=
(E)=
(F)=

No.	Lev.	Parts No.	Description	Q'ty						I	R
				(A)	(B)	(C)	(D)	(E)	(F)		
1	1	1N3390-30000-1	HANDLE	2	2						
2	1	1N3400-30100	FRAME,HANDLE	1	1						
3	1	1N1710-82140	GRIP BK-8,HANDLE	2	2						
4	1	22137-080000	WASHER, 8	4	4						
5	1	26016-080162	BOLT, M8X 16	4	4						
6	1	26051-100002	NUT, M10	4	4						

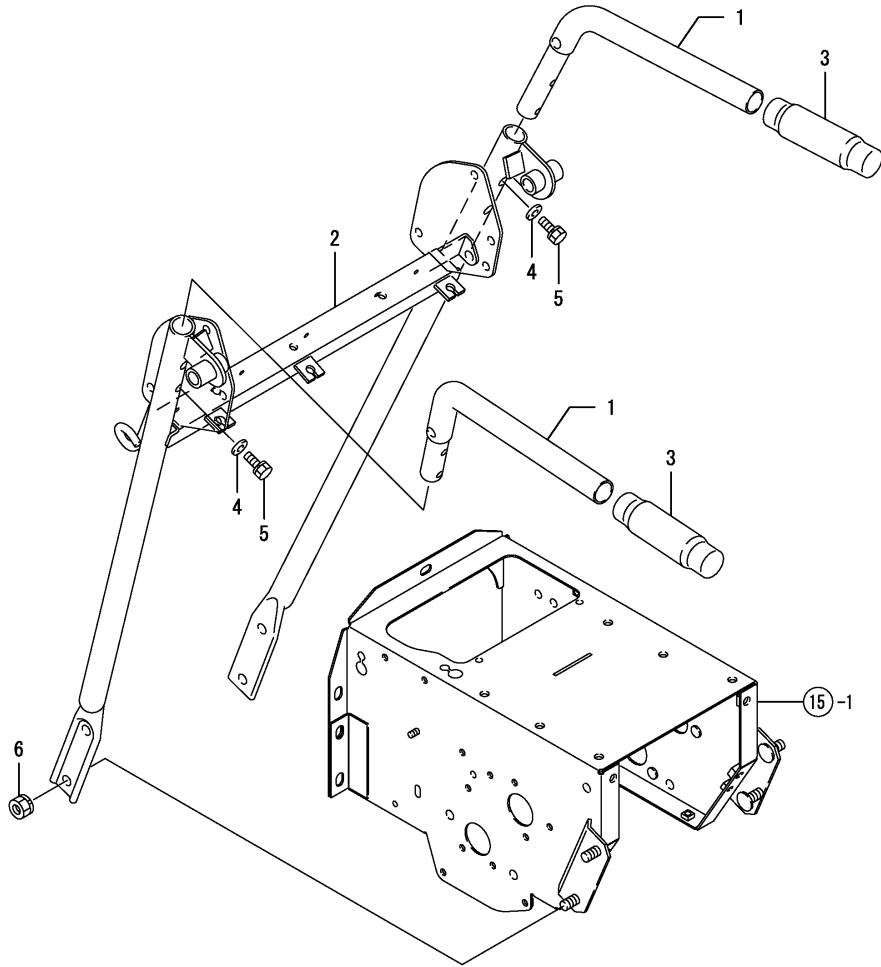
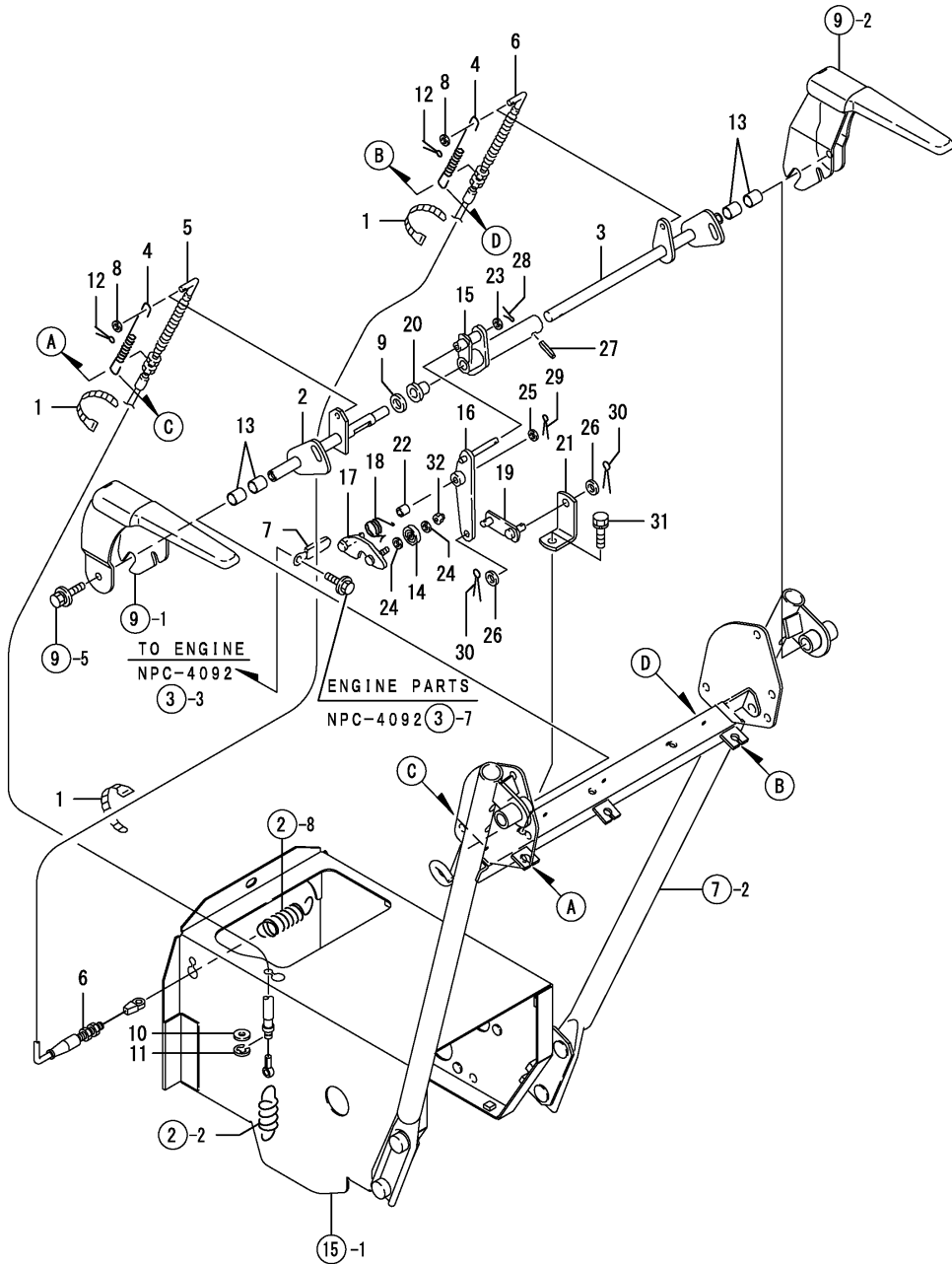


Fig.10. CLUTCH & CLUTCH LOCK

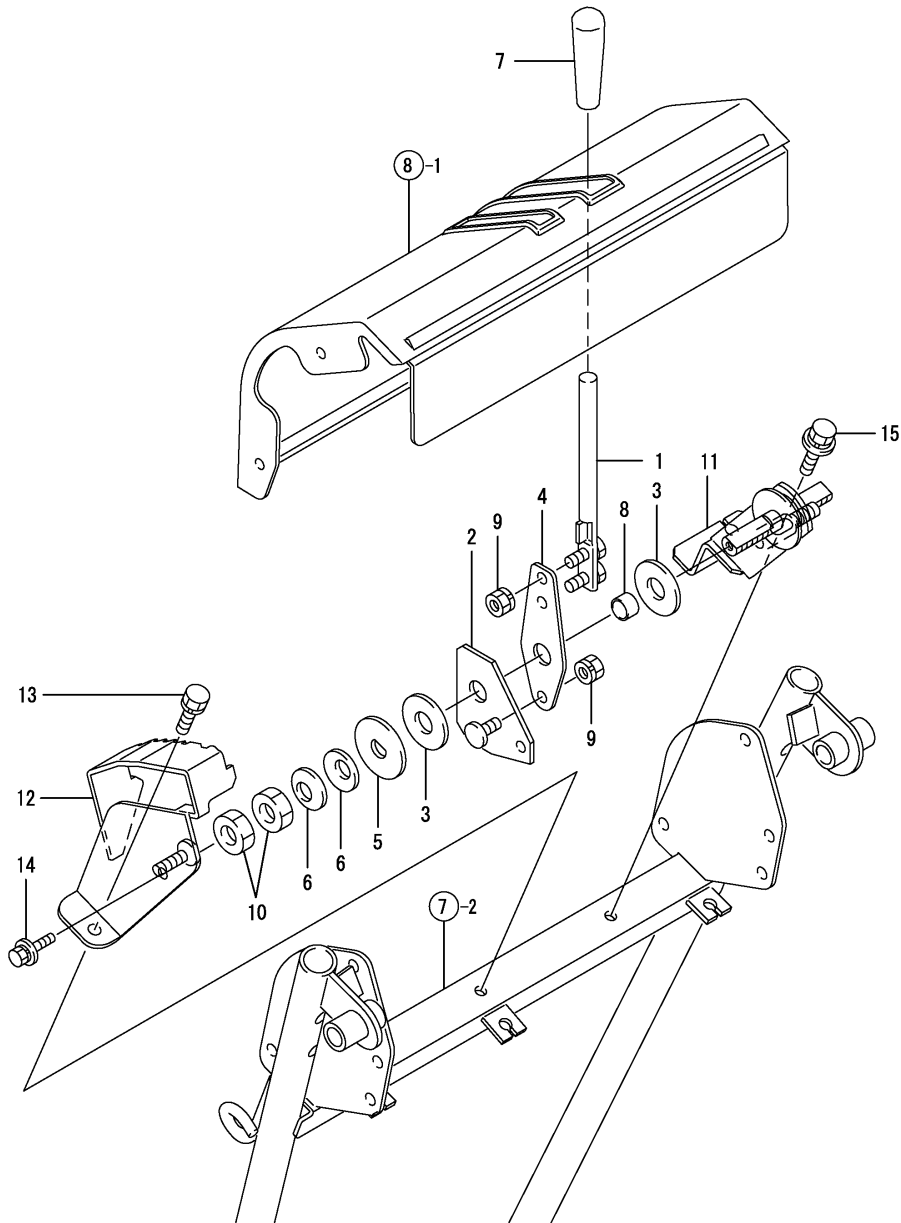


(A)=YSR70W
(B)=YSR70W-S
(C)=

(D)=
(E)=
(F)=

No.	Lev.	Parts No.	Description	Q'ty						I	R
				(A)	(B)	(C)	(D)	(E)	(F)		
1	1	1J3999-07000	BAND 100B	3	3						
2	1	1N3370-31200	SHAFT,TRAVEL CLUTCH	1	1						
3	1	1N3370-31300	SHAFT,SNOW RMV.CLTCH	1	1						
4	1	1N3370-31450	SPRING, 9X145	2	2						
5	1	1N3810-31600	WIRE, TRAVEL	1	1						
6	1	1N3810-31650	WIRE, WORK	1	1						
7	1	1N1710-32600	CLAMP 8X70	1	1						
8	1	22117-060000	WASHER, 6	2	2						
9	1	22117-100000	WASHER, 10	1	1						
10	1	22137-080000	WASHER, 8	1	1						
11	1	22272-000070	RING, E- 7	1	1						
12	1	22417-200100	COTTER PIN 2.0X10	2	2						
13	1	24550-012150	BUSH, 12X15	4	4						
14	1	1J3999-06000	BEARING 626-2NSL	1	1						
15	1	1N3330-31350	ARMCLUTCH LOCK SHAFT	1	1						
16	1	1N3300-31400	CATCH,LOCK CLAW	1	1						
17	1	1N3021-31451	CLAW,CLUTCH LOCK	1	1						
18	1	1N3021-31480	SPRING,LOCK CLAW	1	1						
19	1	1N3300-31500	GUIDE,LOCK CLAW	1	1						
20	1	1N3021-31580	BUSH 10X15,FLANGED	1	1						
21	1	1N3370-31700-1	SEAT, LOCK CLAW	1	1						
22	1	1C1011-45020	BUSH, 6X8X10	1	1						
23	1	22117-060000	WASHER, 6	1	1						
24	1	22117-060000	WASHER, 6	2	2						
25	1	22117-060000	WASHER, 6	1	1						
26	1	22117-080000	WASHER, 8	2	2						
27	1	22351-050020	PIN, SPRING 5.0X20	1	1						
28	1	22417-160100	COTTER PIN	1	1						
29	1	22417-160100	COTTER PIN	1	1						
30	1	22417-200160	PIN, COTTER 2.0X16	2	2						
31	1	26016-080164	BOLT M 8X 16	1	1						
32	1	26347-060002	NUT, M6	1	1						

Fig.11. CHANGE LEVER



(A)=YSR70W
(B)=YSR70W-S
(C)=

(D)=
(E)=
(F)=

No.	Lev.	Parts No.	Description	Q'ty						I	R
				(A)	(B)	(C)	(D)	(E)	(F)		
1	1	1N3360-32000	CHANGE LEVER	1	1						
2	1	1N3335-32050	ARM, CHANGE	1	1						
3	1	1N3330-32090	FRICTION PLATE	2	2						
4	1	1N3335-32090-1	SPRING, LEVER	1	1						
5	1	1N1723-32350	LOCK WASHER	1	1						
6	1	1C6320-64680	SPRING, H14	2	2						
7	1	1E6570-64760	GRIP, LEVER 12	1	1						
8	1	24550-014100	BUSH, 14X10	1	1						
9	1	26051-080002	NUT, M8	3	3						
10	1	26737-140002	NUT, M14	2	2						
11	1	1N3390-32100	FULCRUM, LEVER	1	1						
12	1	1N3390-32400-1	CATCH,FULCRUM	1	1						
13	1	26016-080164	BOLT M 8X 16	1	1						
14	1	26018-060162	BOLT, M6X 16	1	1						
15	1	26018-080164	BOLT M 8X 16	1	1						

Fig.12. CHANGE ROD

(A)=YSR70W
(B)=YSR70W-S
(C)=

(D)=
(E)=
(F)=

No.	Lev.	Parts No.	Description	Q'ty						I	R
				(A)	(B)	(C)	(D)	(E)	(F)		
1	1	1N3300-32200	ROD,CHANGE LEVER	1	1						
2	1	1N3300-32300	ARM,SLIDE	1	1						
2-1	1	1N3400-32300	ARM,SLIDE	1	1						N
2-2	1	(A=F010127) (B=F010127) 1N3400-32301	ARM,SLIDE	1	1						N
		(A=F010399) (B=F010399)									
3	1	1N3300-32500-1	GUIDE,ARM,SLIDE	1	1						
4	1	1N1570-32950	NUT 8	1	1						
5	1	1E4760-43090	BALL RBL8,LINK	1	1						
6	1	1E6740-64200	BALL BL8DL, LINK	1	1						
7	1	22117-120000	WASHER, 12	1	1						
8	1	26018-060162	BOLT, M6X 16	2	2						
9	1	26051-080002	NUT, M8	2	2						
10	1	26717-080002	NUT, M8	1	1						

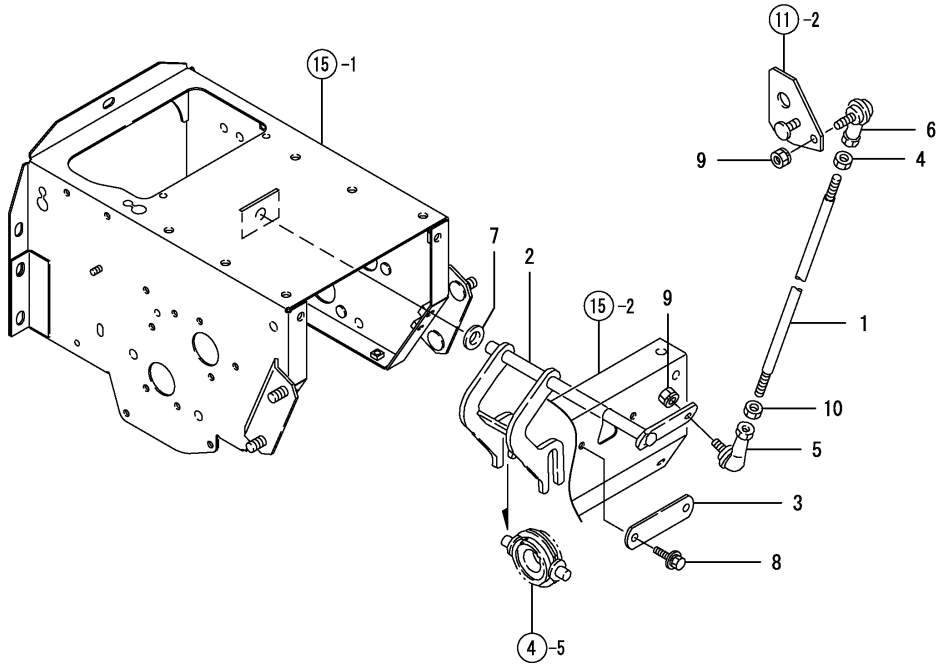
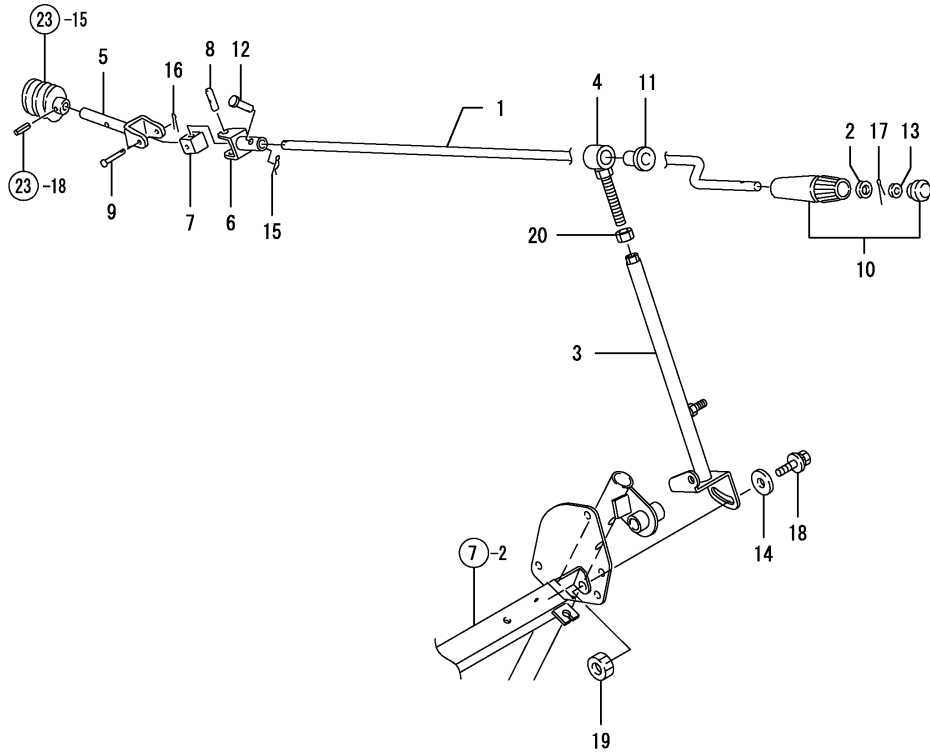


Fig.14. CHUTE HANDLE

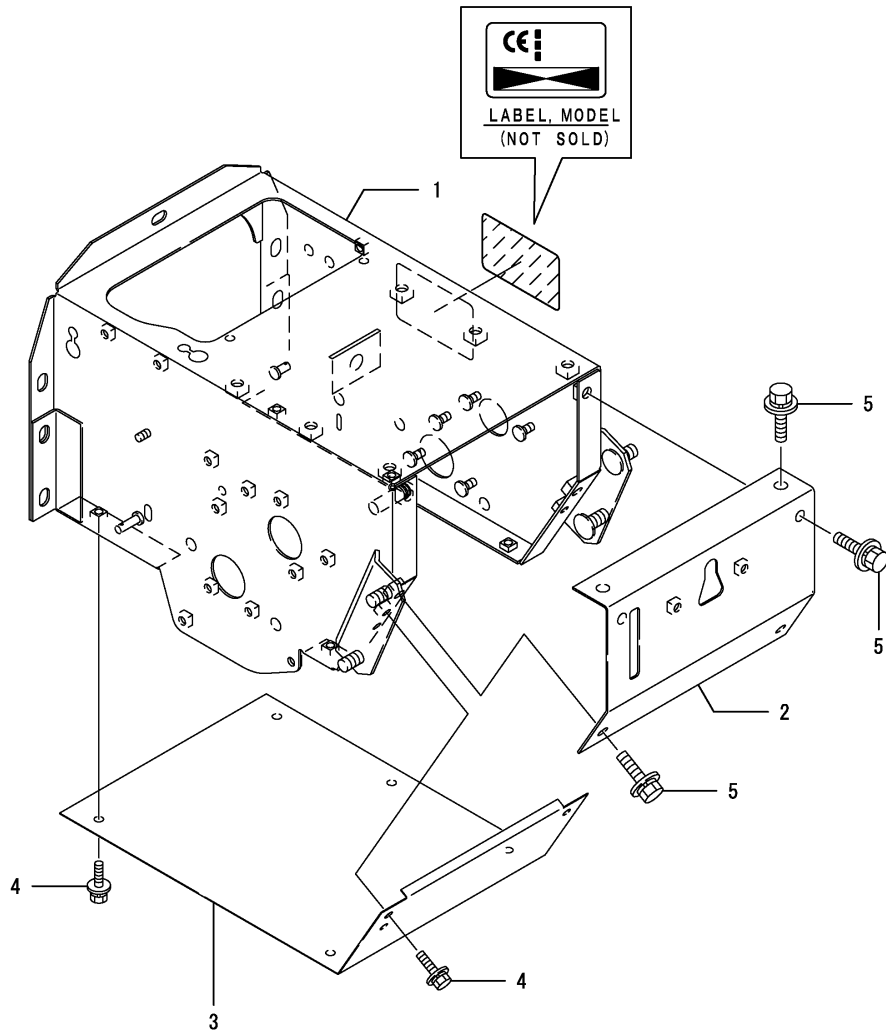


(A)=YSR70W
(B)=YSR70W-S
(C)=

(D)=
(E)=
(F)=

No.	Lev.	Parts No.	Description	Q'ty						I	R
				(A)	(B)	(C)	(D)	(E)	(F)		
1	1	1N3390-34350	HANDLE, CHUTE	1	1						
2	1	1N3021-34390	SPACER 10X14X1	1	1						
3	1	1N3390-34500	STAY,CHUTE HANDLE	1	1						
4	1	1N3390-34530	SUPPORT,HANDLE	1	1						
5	1	1N3390-34600	ROD,CONNECTION	1	1						
6	1	1N3330-34651	JOINT, CONNECTING	1	1						
7	1	1N3330-34700	JOINT FULCRUM	1	1						
8	1	1N3021-34710	JOINT FULCRUM,PIN 8	1	1						
9	1	1N3021-34720	RIVET 4X27.5	1	1						
10	1	1N1711-35520	GRIP,SHOOT	1	1						
11	1	1F5300-43300	BUSH 1015	1	1						
12	1	1N3260-73250	RIVET 4X19.5	1	1						
13	1	22137-060000	WASHER, 6	1	1						
14	1	22137-080000	WASHER, 8	1	1						
15	1	22372-040000	PIN, SNAP 4	1	1						
16	1	22417-200100	COTTER PIN 2.0X10	1	1						
17	1	22417-200160	PIN, COTTER 2.0X16	1	1						
18	1	26018-080204	BOLT M 8X 20	1	1						
19	1	26717-080002	NUT, M8	1	1						
20	1	26717-080002	NUT, M8	1	1						

Fig.15. CHASSIS FRAME



(A)=YSR70W
(B)=YSR70W-S
(C)=

(D)=
(E)=
(F)=

No.	Lev.	Parts No.	Description	Q'ty						I	R
				(A)	(B)	(C)	(D)	(E)	(F)		
1	1	1N3810-36000	CHASSIS,	1	1						
2	1	1N3300-36100-1	REAR,CHASSIS	1	1						
3	1	1N3300-36200-1	BOTTOM,CHASSIS	1	1						
4	1	26018-060124	BOLT M 6X 12	7	7						
5	1	26018-080164	BOLT M 8X 16	6	6						

Fig.17. TIRE

(A)=YSR70W
(B)=YSR70W-S
(C)=

(D)=
(E)=
(F)=

No.	Lev.	Parts No.	Description	Qty						I	R
				(A)	(B)	(C)	(D)	(E)	(F)		
1	1	1N3021-38101	PIN,AXLE	2	2						
2	1	1N3310-38101	TIRE,	2	2						
3	1	22417-200100	COTTER PIN 2.0X10	2	2						

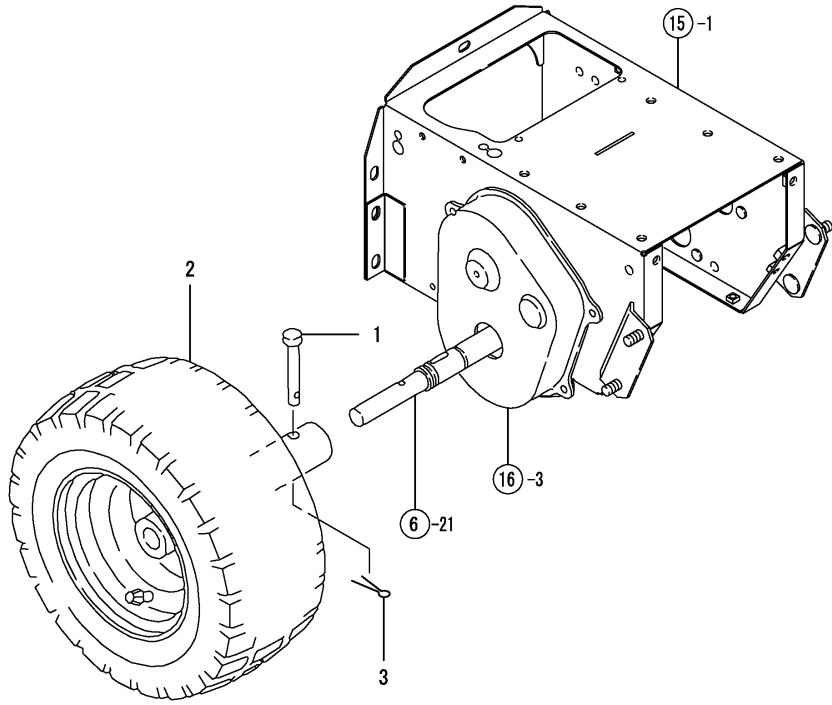
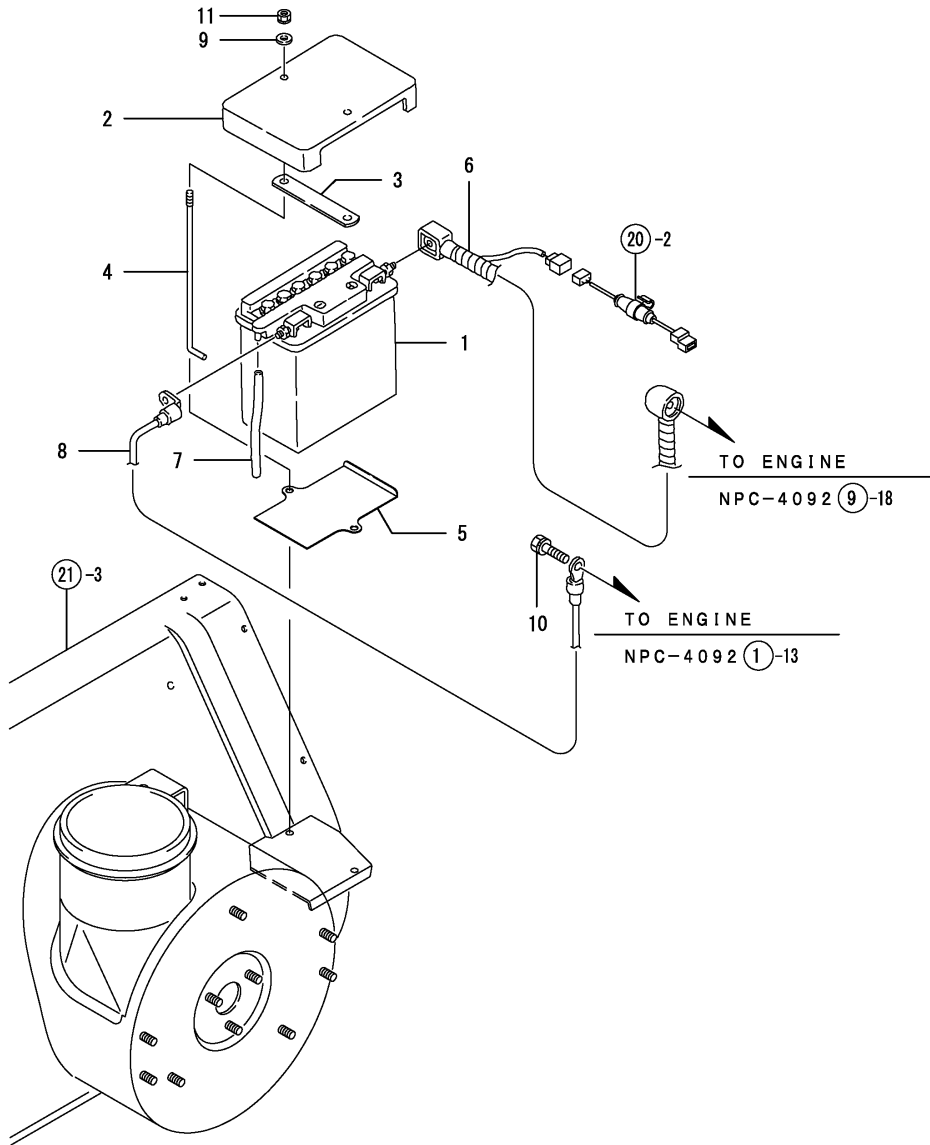


Fig.18. BATTERY



(A)=YSR70W
(B)=YSR70W-S
(C)=

(D)=
(E)=
(F)=

No.	Lev.	Parts No.	Description	Q'ty						I	R
				(A)	(B)	(C)	(D)	(E)	(F)		
1	1	1N3300-51010	BATTERY YB12AL-A		1						
2	1	1N3300-51100	COVER, BATTERY		1						
3	1	1N3300-51150	PLATE, BATTERY KEEP		1						
4	1	1N3300-51200	BAR, BATTERY RETAINER		2						
5	1	1N3300-51250	GUIDE, BATTERY		1						
6	1	1N3300-51300	CABLE, BATTERY POSIT.		1						
7	1	1N1710-51350	PIPE, VINYL		1						
8	1	1N3300-51350	CABLE, BATTERY NEG.		1						
9	1	22157-060000	WASHER, 6		2						
10	1	26016-080164	BOLT M 8X 16		1						
11	1	26051-060002	NUT, M6		2						

Fig.19. HARNESS & SWITCH

(A)=YSR70W
(B)=YSR70W-S
(C)=

(D)=
(E)=
(F)=

No.	Lev.	Parts No.	Description	Q'ty						I	R
				(A)	(B)	(C)	(D)	(E)	(F)		
1	1	1J3999-07000	BAND 100B	1							
2	1	1N3300-51400	HARNESS (T	1							
3	1	1E6102-84970	BAND 140,WIRE LOCK	2							
4	1	1A1470-40900	SWITCH,STOP	1							
5	1	1N3300-51451-1	SEAT,SWICH T	1							
6	1	26018-080164	BOLT M 8X 16	2							
7	1	26051-080002	NUT, M8	1							

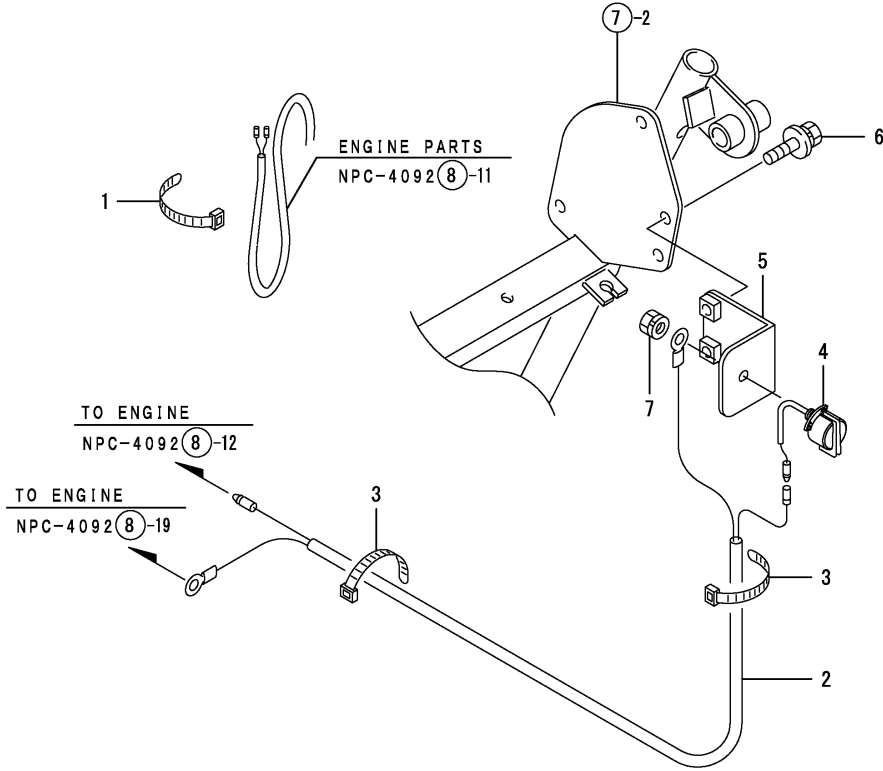
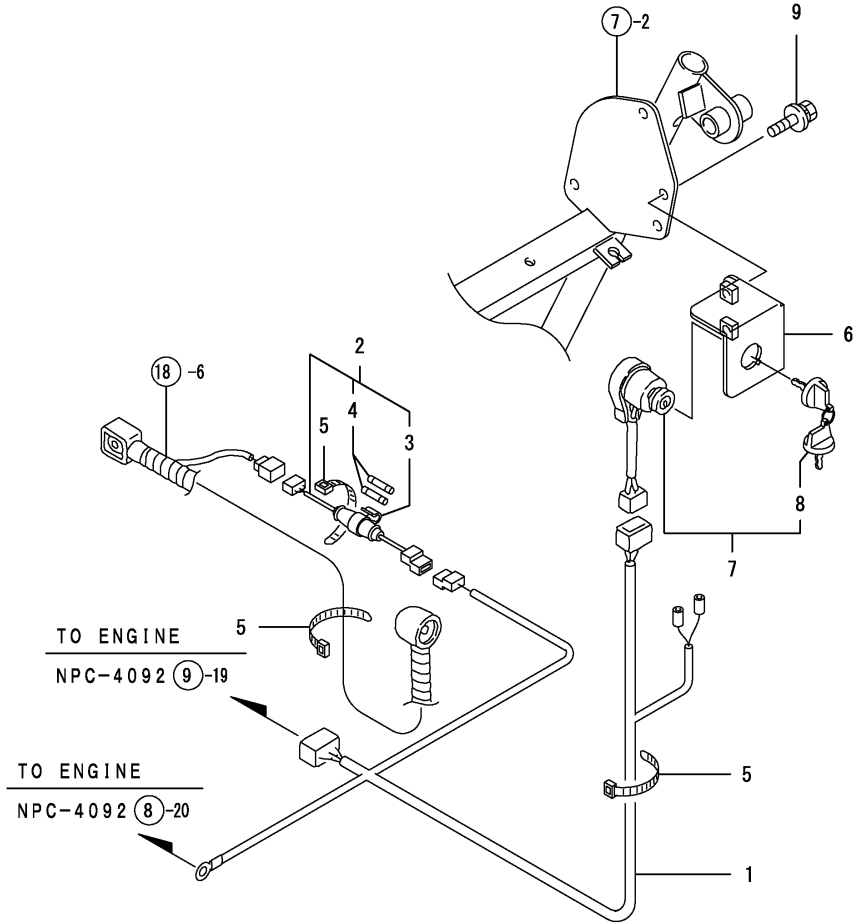


Fig.20. HARNESS & SWITCH

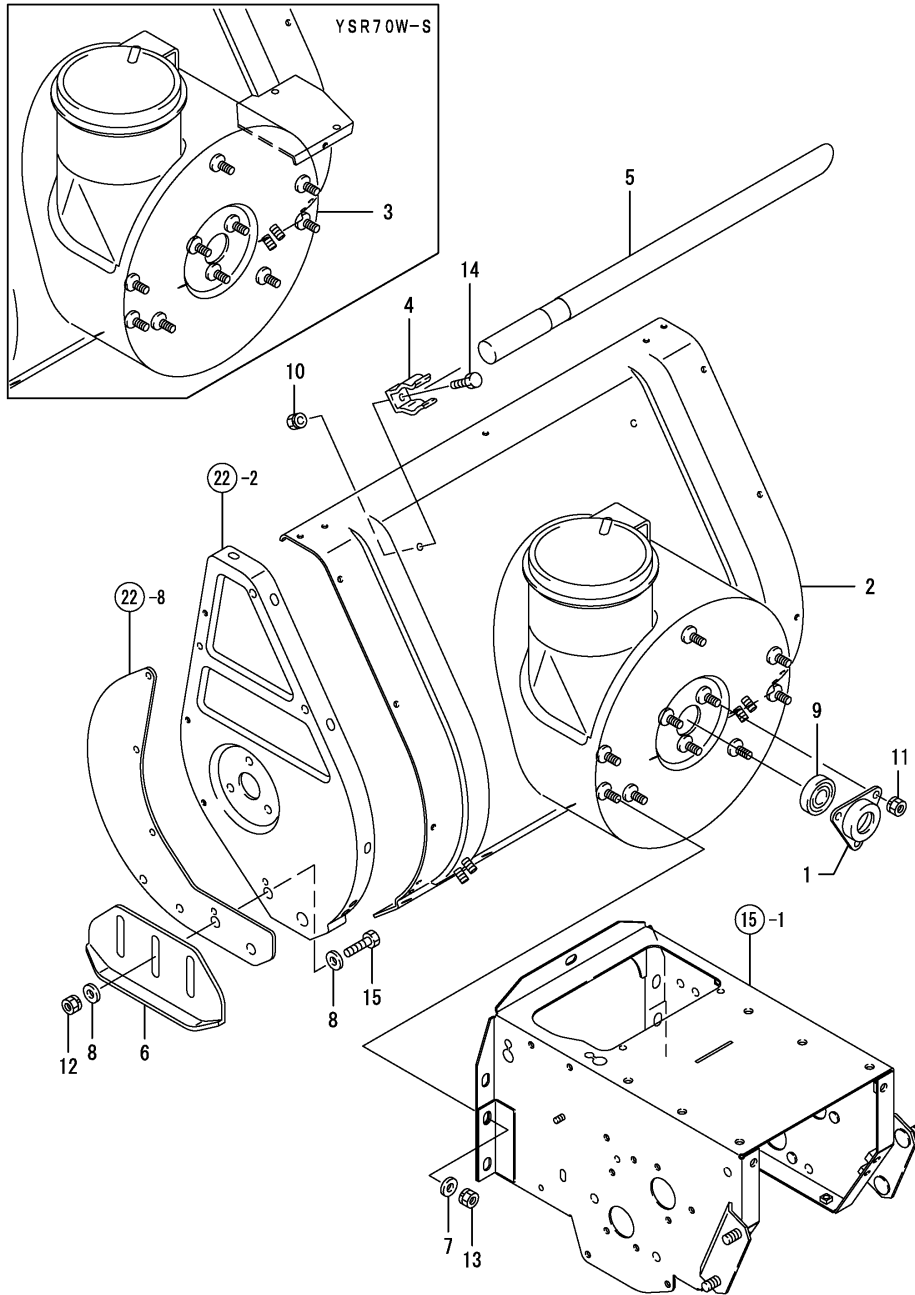


(A)=YSR70W
(B)=YSR70W-S
(C)=

(D)=
(E)=
(F)=

No.	Lev.	Parts No.	Description	Q'ty						I	R
				(A)	(B)	(C)	(D)	(E)	(F)		
1	1	1N3390-51000	HARNESS		1						
2	1	1N3021-51550	HOLDER ASSY.,FUSE		1						
3	2	1N3021-51560	HOLDER, FUSE		1						
4	2	29411-200000	FUSE, CARTRIDGE 20A		2						
5	1	1E6102-84970	BAND 140,WIRE LOCK		3						
6	1	1N3300-51552-1			1						
7	1	1N3021-52300	SWITCH ASSY.,KEY		1						
8	2	160797-77270	KEY, REVERSE		1						
9	1	26018-080164	BOLT M 8X 16		2						

Fig.21. SNOW REMOVING FRAME

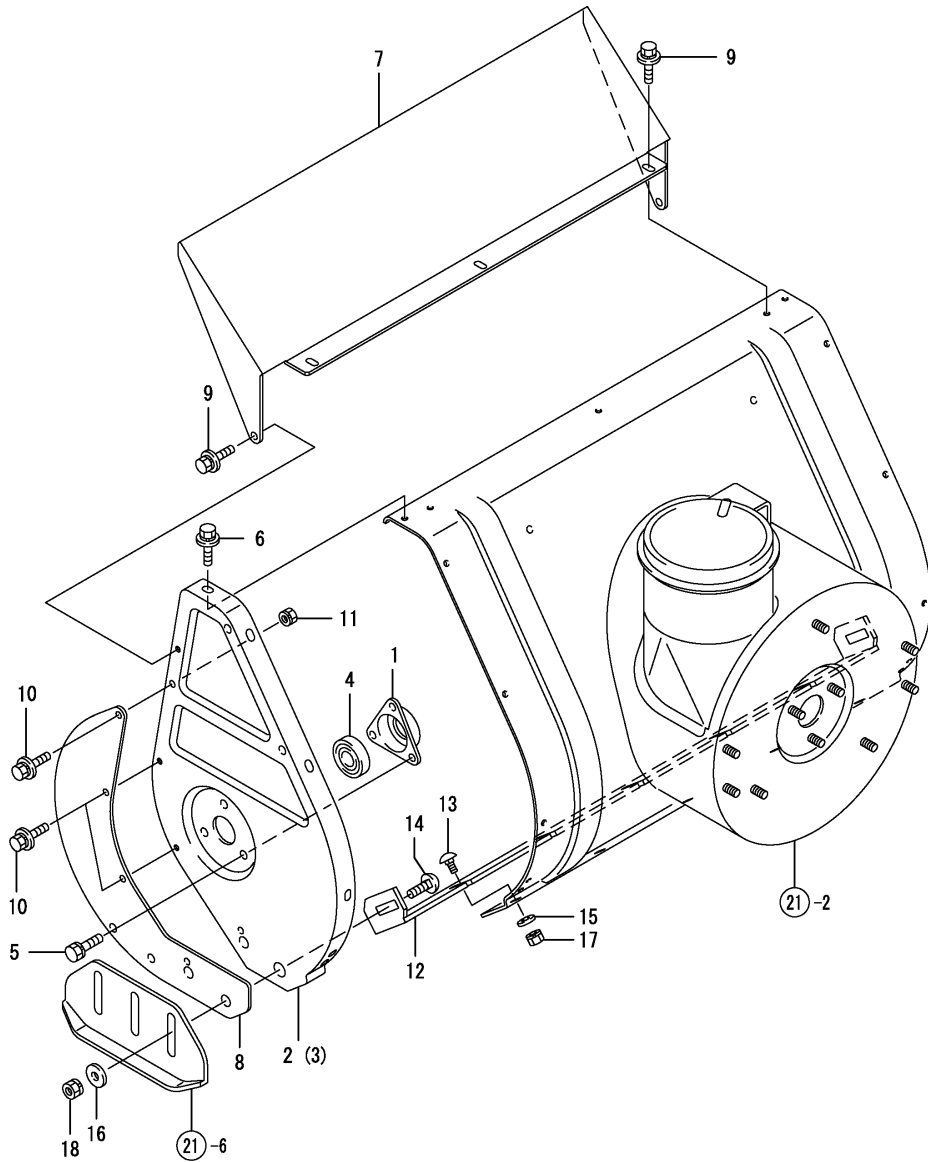


(A)=YSR70W
(B)=YSR70W-S
(C)=

(D)=
(E)=
(F)=

No.	Lev.	Parts No.	Description	Q'ty						I	R
				(A)	(B)	(C)	(D)	(E)	(F)		
1	1	1N1570-38210	BEARING 6203B	1	1						
2	1	1N3310-71000	FRAME,SNOW REMOVEG	1							
3	1	1N3310-71100	FRAME,SNOW REMOVEG		1						
4	1	1N1710-71062	STOPPER	2	2						
5	1	1N1710-71072	ROD,SNOW SHOVELING	1	1						
6	1	1N3300-71401-1	SHOE	2	2						
7	1	22137-080000	WASHER, 8	5	5						
8	1	22137-080000	WASHER, 8	8	8						
9	1	24104-062034	BEARING, BALL 6203UU	1	1						
10	1	26051-060002	NUT, M6	2	2						
11	1	26051-080002	NUT, M8	3	3						
12	1	26051-080002	NUT, M8	4	4						
13	1	26051-080002	NUT, M8	5	5						
14	1	26117-060122	BOLT M 6X 12 PLATED	2	2						
15	1	26117-080202	BOLT M 8X 20 PLATED	4	4						

Fig.22. AUGER COVER

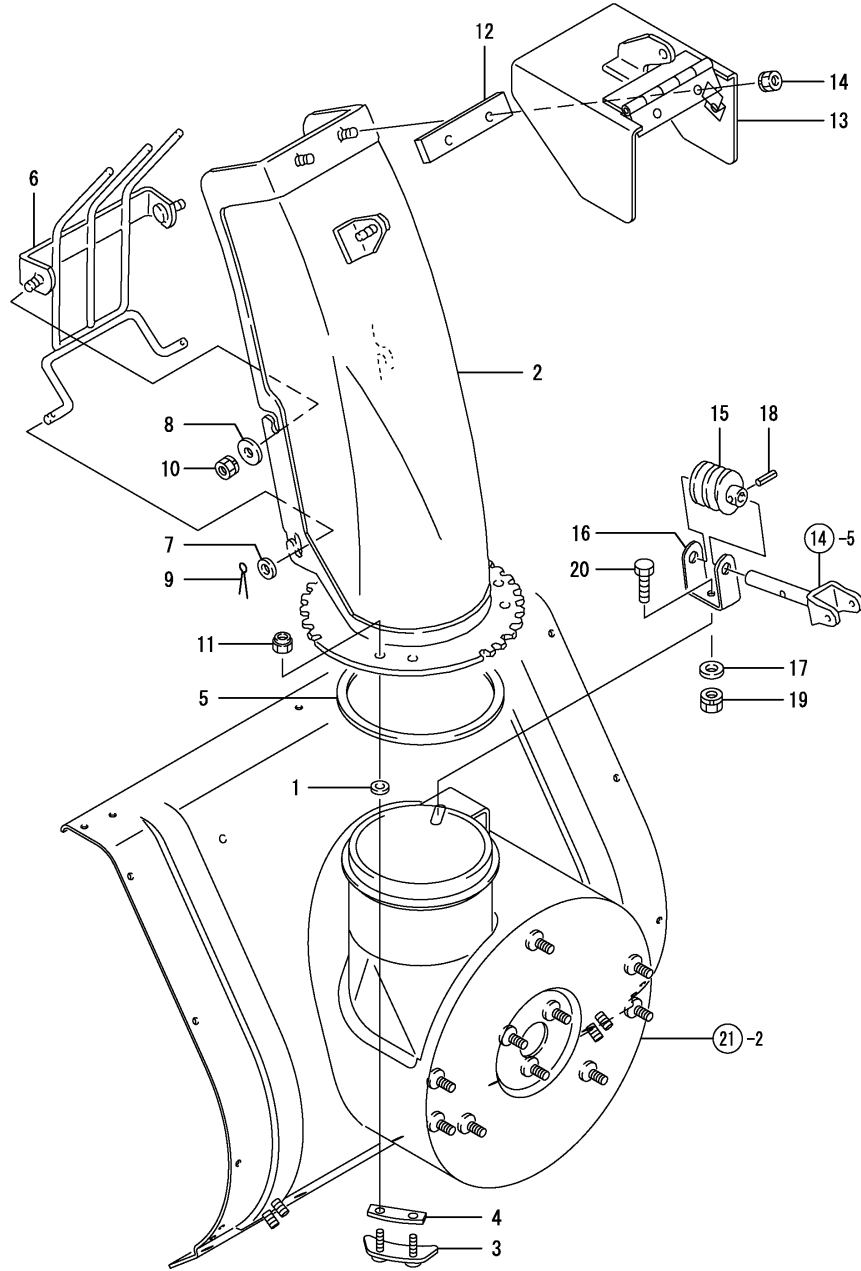


(A)=YSR70W
(B)=YSR70W-S
(C)=

(D)=
(E)=
(F)=

No.	Lev.	Parts No.	Description	Q'ty						I	R
				(A)	(B)	(C)	(D)	(E)	(F)		
1	1	1N1570-38200	BEARING 6203C	2	2						
2	1	1N3310-71200	PLATE L,AUGER SIDE	1	1						
3	1	1N3310-71250	PLATE R,AUGER SIDE	1	1						
4	1	24104-062034	BEARING, BALL 6203UU	2	2						
5	1	26016-080164	BOLT M 8X 16	6	6						
6	1	26018-060124	BOLT M 6X 12	12	12						
7	1	7N3810-71500	PL.ASSY,CASE COVER	1	1						
8	1	1N3310-71551	COVER, AUGER SIDE 7W	2	2						
9	1	26018-060124	BOLT M 6X 12	5	5						
10	1	26018-060124	BOLT M 6X 12	6	6						
11	1	26051-060002	NUT, M6	2	2						
12	1	1N3310-71301-1	PLATE,BOTTOM(650	1	1						
13	1	1N3300-71320	BOLT	5	5						
14	1	1N3300-71330	BOLT	2	2						
15	1	22137-060000	WASHER, 6	5	5						
16	1	22157-080000	WASHER, 8	2	2						
17	1	26051-060002	NUT, M6	5	5						
18	1	26051-080002	NUT, M8	2	2						

Fig.23. CHUTE

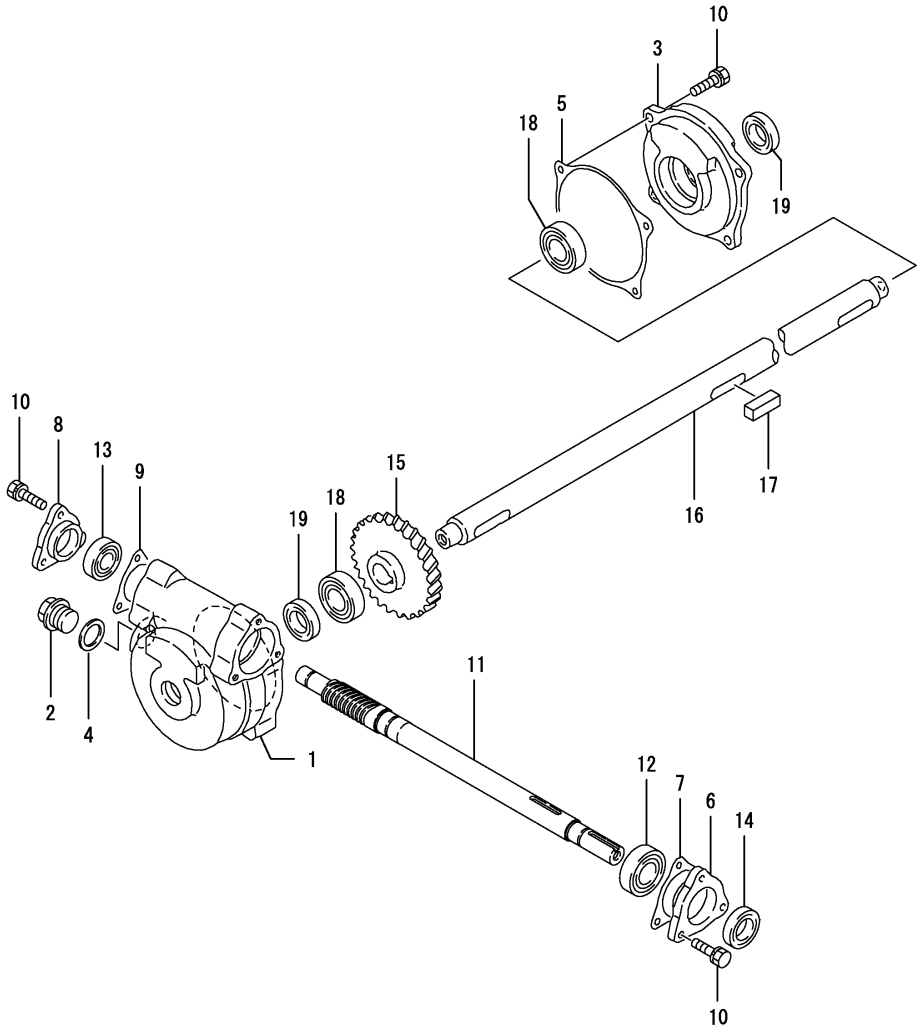


(A)=YSR70W
(B)=YSR70W-S
(C)=

(D)=
(E)=
(F)=

No.	Lev.	Parts No.	Description	Q'ty						I	R
				(A)	(B)	(C)	(D)	(E)	(F)		
1	1	1J3999-02160	WASHER	6	6						
2	1	7N3810-73000	PL.ASSY,CHUTE	1	1						
3	1	1N3021-73201	FIXTURE A,SHOOTER	3	3						
4	1	1N1711-73240	SPACER	3	3						
5	1	1N1711-73280	PLATE,FLOOR	1	1						
6	1	1N1960-73502	GUARD	1	1						
7	1	22137-060000	WASHER, 6	2	2						
8	1	22157-060000	WASHER, 6	2	2						
9	1	22417-200120	COTTER PIN 2.0X12	2	2						
10	1	26051-060002	NUT, M6	2	2						
11	1	26347-060002	NUT, M6	6	6						
12	1	1N1711-73170	RUBBER,SNOW PROTECT.	1	1						
13	1	1N3310-73202-1	DEFLECTOR,CHUTE 7W	1	1						
14	1	26051-060002	NUT, M6	2	2						
15	1	1N3390-73300	WORM,3X3L	1	1						
16	1	1N3390-73350	BEAKING,WORM	1	1						
17	1	22137-080000	WASHER, 8	1	1						
18	1	22351-050020	PIN, SPRING 5.0X20	1	1						
19	1	26051-080002	NUT, M8	1	1						
20	1	26117-080162	BOLT M 8X 16 PLATED	1	1						

Fig.24. GEAR CASE



(A)=YSR70W
(B)=YSR70W-S
(C)=

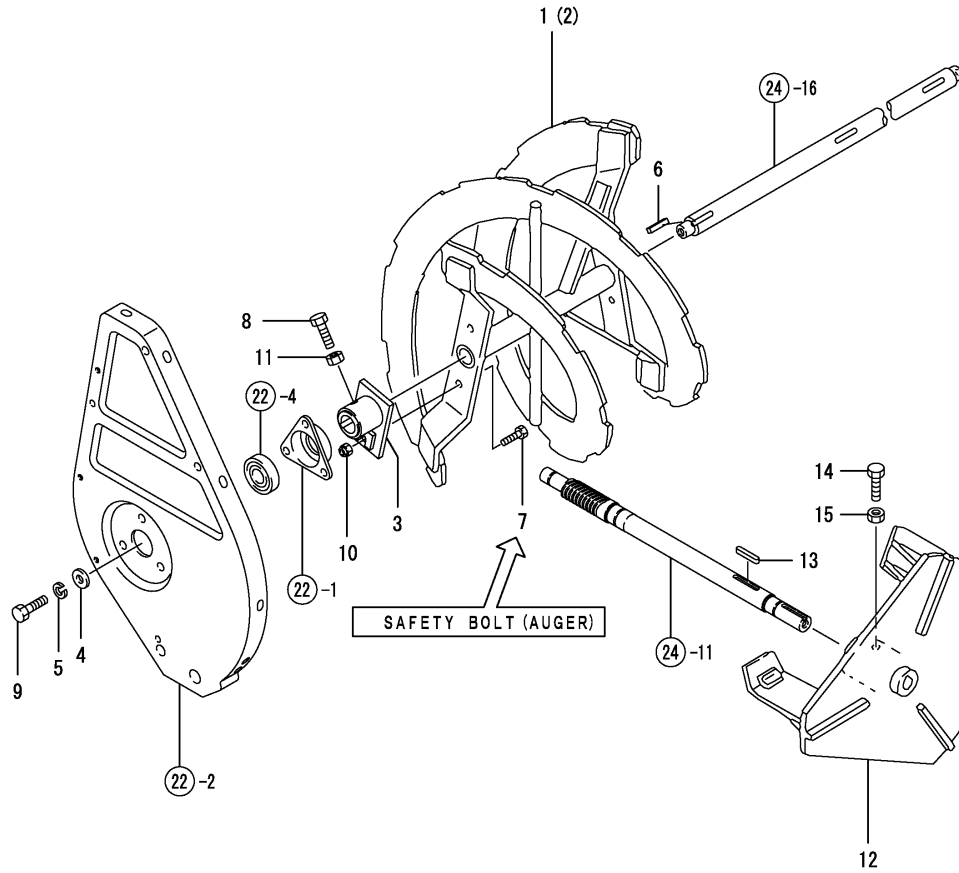
(D)=
(E)=
(F)=

No.	Lev.	Parts No.	Description	Q'ty						I	R
				(A)	(B)	(C)	(D)	(E)	(F)		
1	1	1N1710-74002-1	CASE,GEAR	1	1						
2	1	1N1711-74000	BOLT,DRAIN	1	1						
3	1	1N1710-74012-1	COVER C,SNAP-IN	1	1						
4	1	1N1711-74010	PACKING 20X28X2,CU	1	1						
4-1	1	22190-200000	WASHER, SEAL 20	1	1						N
		(A=F010399)	(B=F010399)								
5	1	1N1570-74050	PACKING C	1	1						
6	1	1N1570-74110-1	COVER A,KEEP	1	1						
7	1	1N1570-74120	PACKING A	1	1						
8	1	1N1570-74130-1	COVER B,KEEP	1	1						
9	1	1N1570-74140	PACKING B	1	1						
10	1	26016-060202	BOLT, M6X 20	10	10						
11	1	1N3331-74100	SHAFT, WORM	1	1						
12	1	24107-060044	BEARING, BALL 6004ZZ	1	1						
13	1	24107-062024	BEARING, BALL 6202ZZ	1	1						
14	1	24421-203508	SEAL, OIL TC203508	1	1						
15	1	1N1710-74021	WHEEL,WORM	1	1						
16	1	1N3400-74200	SHAFT,AUGER	1	1						
17	1	22550-050300	KEY 5X30	1	1						
18	1	24101-060044	BEARING, BALL 6004	2	2						
19	1	24421-203508	SEAL, OIL TC203508	2	2						

Fig.25. AUGER & BLOWER

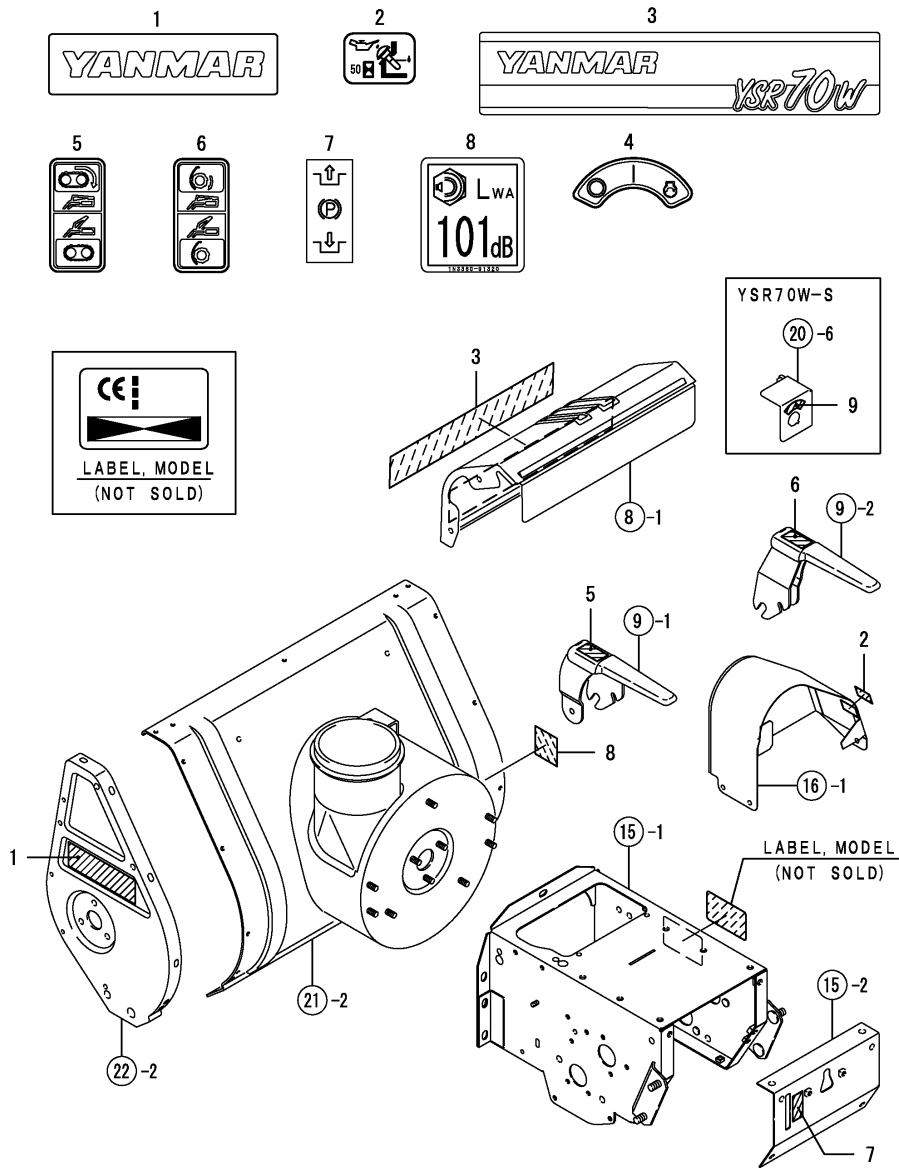
(A)=YSR70W
(B)=YSR70W-S
(C)=

(D)=
(E)=
(F)=



No.	Lev.	Parts No.	Description	Q'ty						I	R
				(A)	(B)	(C)	(D)	(E)	(F)		
1	1	1N3330-75000-1	AUGER L	1	1						
2	1	1N3330-75100-1	AUGER R	1	1						
3	1	1N3330-75200-1	FLANGE,AUGER	2	2						
4	1	22157-080000	WASHER, 8	2	2						
5	1	22217-080000	WASHER, SPRING 8	2	2						
6	1	22550-050300	KEY 5X30	2	2						
7	1	26116-060202	BOLT, M6X 20 PLATED	2	2						
8	1	26116-080162	BOLT, M8X 16 PLATED	2	2						
9	1	26116-080252	BOLT, M8X 25 PLATED	2	2						
10	1	26347-060002	NUT, M6	2	2						
11	1	26717-080002	NUT, M8	2	2						
12	1	1N1711-76001-1	BLOWER COMPL.	1	1						
13	1	22550-050300	KEY 5X30	1	1						
14	1	26116-080202	BOLT, M8X 20 PLATED	1	1						
15	1	26717-080002	NUT, M8	1	1						

Fig.26. LABELS

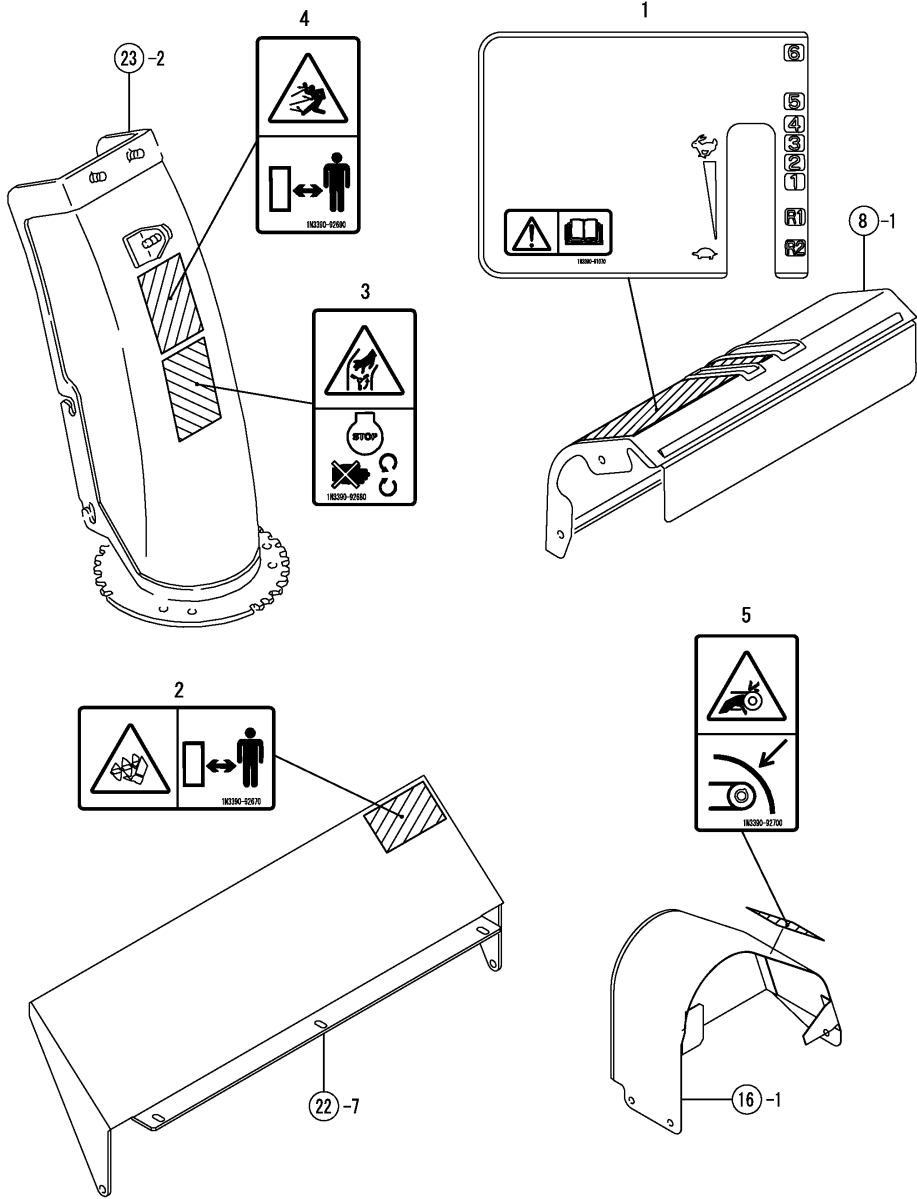


(A)=YSR70W
(B)=YSR70W-S
(C)=

(D)=
(E)=
(F)=

No.	Lev.	Parts No.	Description	Q'ty						I	R
				(A)	(B)	(C)	(D)	(E)	(F)		
1	1	1N1711-68190	MARK C YANMAR	2	2						
2	1	1N1711-68220	MARK,OIL CHECK	1	1						
3	1	1N3810-91050	MARK, MODEL	1	1						
4	1	1N3390-91090	MARK,SWITCH		1						
5	1	1N3021-91100	MARK,TRAVEL CLUTCH	1	1						
6	1	1N3021-91110	MARK,SNOW REM.CLUTCH	1	1						
7	1	1N3400-91260	MARK	1	1						
8	1	1N3360-91320	LABEL,SOUND LEVEL	1	1						

Fig.27. LABELS(SAFETY)



(A)=YSR70W
(B)=YSR70W-S
(C)=

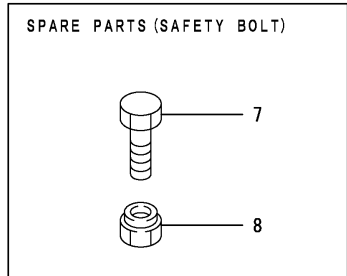
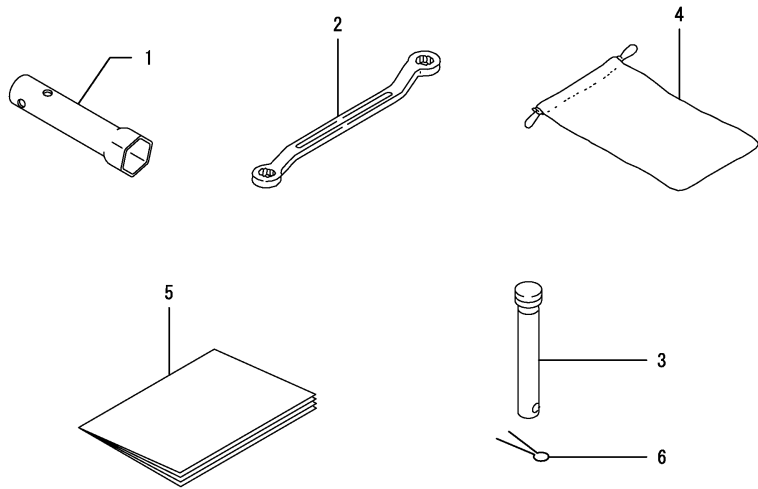
(D)=
(E)=
(F)=

No.	Lev.	Parts No.	Description	Q'ty						I	R
				(A)	(B)	(C)	(D)	(E)	(F)		
1	1	1N3390-91070	LABEL,CAUTION	1	1						
2	1	1N3390-92670	LABEL,DANGER	1	1						
3	1	1N3390-92680	LABEL,WARNING	1	1						
4	1	1N3390-92690	LABEL,WARNING	1	1						
5	1	1N3390-92700	LABEL,CAUTION	1	1						

Fig.28. TOOLS & ACCESSORIES

(A)=YSR70W
(B)=YSR70W-S
(C)=

(D)=
(E)=
(F)=



No.	Lev.	Parts No.	Description	Q'ty						I	R
				(A)	(B)	(C)	(D)	(E)	(F)		
1	1	160120-92700	WRENCH, 21 L86	1	1						
2	1	28160-100120	WRENCH, 10X12	1	1						
3	1	1N3021-38101	PIN,AXLE	2	2						
4	1	1F1150-92000	BAG,TOOL	1	1						
5	1	1N3300-96100	OPERATORS MANUAL	1	1						
6	1	22417-200120	COTTER PIN 2.0X12	2	2						
7	1	26116-060202	BOLT, M6X 20 PLATED	10	10						1
8	1	26347-060002	NUT, M6	10	10						1

Remarks
(1) IT IS A SPARE PART FOR SAFETY BOLT, GROUP NO.25, REF. NO.7.

Parts No. Index

Parts No.	Fig. No.	Ref. No.
160120-92700	28	1
160797-77270	20	8
194080-58820	1	8
194150-47621	13	3
194273-47910	1	22
1A1470-40900	19	4
1C1011-45020	10	22
1C6320-64680	11	6
1E4760-43090	12	5
1E6102-84970	19	3
	20	5
1E6570-64760	11	7
1E6740-64200	12	6
1E7030-51301-1	2	10
1F1150-23140	6	5
1F1150-92000	28	4
1F5300-43300	14	11
1J3999-02010	1	7
	4	15 -1
	5	6 -1
1J3999-02160	23	1
1J3999-06000	10	14
1J3999-07000	10	1
	19	1
1N1570-21200	4	2
1N1570-21300	4	5
1N1570-21600	6	1
1N1570-32950	12	4
1N1570-38200	22	1
1N1570-38210	21	1
1N1570-51130	1	23
	13	4
1N1570-74050	24	5
1N1570-74110-1	24	6
1N1570-74120	24	7
1N1570-74130-1	24	8
1N1570-74140	24	9
1N1710-32600	10	7
1N1710-51350	18	7
1N1710-71062	21	4
1N1710-71072	21	5
1N1710-74002-1	24	1
1N1710-74012-1	24	3
1N1710-74021	24	15
1N1710-82140	7	3
1N1711-35520	14	10
1N1711-68190	26	1
1N1711-68220	26	2
1N1711-73170	23	12
1N1711-73240	23	4

Parts No.	Fig. No.	Ref. No.
1N1711-73280	23	5
1N1711-74000	24	2
1N1711-74010	24	4
1N1711-76001-1	25	12
1N1713-00040-1	1	1
1N1713-00080-1	1	3
1N1713-00100	1	4
1N1713-00170	1	5
1N1720-21211	4	4
1N1723-32350	11	5
1N1960-73502	23	6
1N3021-00250	1	6
1N3021-31451	10	17
1N3021-31480	10	18
1N3021-31580	2	9
	10	20
1N3021-34390	14	2
1N3021-34710	14	8
1N3021-34720	14	9
1N3021-38101	17	1
	28	3
1N3021-51550	20	2
1N3021-51560	20	3
1N3021-52300	20	7
1N3021-73201	23	3
1N3021-91100	26	5
1N3021-91110	26	6
1N3260-73250	14	12
1N3300-00050-1	1	2
1N3300-11080	2	3
1N3300-12010-1	3	11
1N3300-12101-1	3	2
1N3300-12150-1	3	3
1N3300-12201-1	3	12
1N3300-21000	4	1
1N3300-21201-1	4	3
1N3300-21300	4	6
1N3300-21310	4	7
1N3300-21321	4	8
1N3300-21400-1	4	9
1N3300-22001-1	5	1
1N3300-22100-1	5	2
1N3300-22170	5	4
1N3300-22210	5	5
1N3300-23000	6	2
1N3300-23050	6	3
1N3300-23090	6	4
1N3300-23180	6	6
1N3300-25100	6	22
1N3300-31400	10	16

Parts No.	Fig. No.	Ref. No.
1N3300-31500	10	19
1N3300-32200	12	1
1N3300-32300	12	2
1N3300-32500-1	12	3
1N3300-36100-1	15	2
1N3300-36200-1	15	3
1N3300-37100-1	16	3
1N3300-51010	18	1
1N3300-51100	18	2
1N3300-51150	18	3
1N3300-51200	18	4
1N3300-51250	18	5
1N3300-51300	18	6
1N3300-51350	18	8
1N3300-51400	19	2
1N3300-51451-1	19	5
1N3300-51552-1	20	6
1N3300-71320	22	13
1N3300-71330	22	14
1N3300-71401-1	21	6
1N3300-96100	28	5
1N3310-02150	1	21
1N3310-12000-1	3	1
1N3310-12050-1	3	5
1N3310-21450	4	10
1N3310-23200	6	7
1N3310-23300	6	8
1N3310-25000-1	6	21
1N3310-34000-1	13	1
1N3310-34100-1	13	2
1N3310-38101	17	2
1N3310-71000	21	2
1N3310-71100	21	3
1N3310-71200	22	2
1N3310-71250	22	3
1N3310-71301-1	22	12
1N3310-71551	22	8
1N3310-73202-1	23	13
1N3320-71290	9	3
1N3330-31350	10	15
1N3330-32090	11	3
1N3330-34651	14	6
1N3330-34700	14	7
1N3330-75000-1	25	1
1N3330-75100-1	25	2
1N3330-75200-1	25	3
1N3331-74100	24	11
1N3335-32050	11	2
1N3335-32090-1	11	4
1N3360-32000	11	1

Parts No.	Fig. No.	Ref. No.
1N3360-91320	26	8
1N3370-31200	10	2
1N3370-31300	10	3
1N3370-31450	10	4
1N3370-31700-1	10	21
1N3390-02100-1	1	20
1N3390-30000-1	7	1
1N3390-31000-1	9	1
1N3390-31050-1	9	2
1N3390-32100	11	11
1N3390-32400-1	11	12
1N3390-34350	14	1
1N3390-34500	14	3
1N3390-34530	14	4
1N3390-34600	14	5
1N3390-51000	20	1
1N3390-73300	23	15
1N3390-73350	23	16
1N3390-91070	27	1
1N3390-91090	26	4
1N3390-92670	27	2
1N3390-92680	27	3
1N3390-92690	27	4
1N3390-92700	27	5
1N3400-22150	5	3
1N3400-30100	7	2
1N3400-32300	12	2 -1
1N3400-32301	12	2 -2
1N3400-74200	24	16
1N3400-91260	26	7
1N3440-11000	2	1
1N3440-11050	2	2
1N3440-11100	2	4
1N3440-11270	2	7
1N3810-11200	2	5
1N3810-11250	2	6
1N3810-11300	2	8
1N3810-31600	10	5
1N3810-31650	10	6
1N3810-36000	15	1
1N3810-91050	26	3
1S6000-61220	4	11
22117-060000	1	24
	10	8
		23
		24
		25
	13	5
22117-080000	4	12
	10	26

Parts No. Index

Parts No.	Fig. No.	Ref. No.
22117-100000	10	9
22117-120000	4	13
	6	9
	12	7
22137-060000	1	9
	4	14
	14	13
	16	4
	22	15
	23	7
22137-080000	1	17
		25
	3	13
	7	4
	9	4
	10	10
	14	14
	21	7
		8
	23	17
22137-100000	2	11
22157-060000	2	12
	3	6
	4	15
	5	6
	6	10
	8	2
	18	9
	23	8
22157-080000	3	14
	22	16
	25	4
22190-200000	24	4 -1
22217-060000	3	7
22217-080000	1	18
	3	15
	25	5
22242-000100	5	7
22242-000120	4	16
	6	11
22242-000150	2	13
22242-000190	6	12
22242-000200	6	13
		23
22242-000250	4	17
22272-000050	1	26
22272-000070	10	11
22351-050020	10	27
	23	18
22372-040000	14	15

Parts No.	Fig. No.	Ref. No.
22417-160100	2	14
	10	28
		29
22417-200100	1	27
	10	12
	14	16
	17	3
22417-200120	23	9
	28	6
22417-200160	2	15
	10	30
	14	17
22451-160000	6	14
22512-050260	6	15
22550-050150	3	8
22550-050300	3	16
	24	17
	25	6
		13
24101-060044	24	18
24104-060024	4	18
24104-060044	6	16
		24
24104-062024	6	17
24104-062034	21	9
	22	4
24107-060044	24	12
24107-062024	24	13
24421-203508	24	14
		19
24550-012150	10	13
24550-014100	11	8
25122-002601	3	9
25123-002901	3	17
26013-060504	1	10
26013-060554	1	11
26016-060122	6	18
26016-060162	5	8
	6	19
	8	3
26016-060164	4	19
26016-060202	24	10
26016-060204	1	12
26016-080162	7	5
26016-080164	4	20
	10	31
	11	13
	18	10
	22	5
26018-060122	5	9

Parts No.	Fig. No.	Ref. No.
26018-060122	16	5
26018-060124	1	13
	8	4
	15	4
	16	2
	22	6
		9
		10
26018-060162	11	14
	12	8
26018-080162	2	16
	3	4
26018-080164	9	5
	11	15
	15	5
	19	6
	20	9
26018-080204	14	18
26051-060002	1	14
	4	21
		22
	6	20
		25
	16	6
	18	11
	21	10
	22	11
		17
	23	10
		14
26051-080002	2	17
	3	18
	9	6
	11	9
	12	9
	19	7
	21	11
		12
		13
	22	18
	23	19
26051-100002	7	6
26116-060162	3	10
26116-060202	25	7
	28	7
26116-060254	4	23
26116-080162	25	8
26116-080202	25	14
26116-080252	3	19
	25	9

Parts No.	Fig. No.	Ref. No.
26116-080352	1	19
26117-060122	1	15
	21	14
26117-060162	4	24
	13	6
26117-080162	23	20
26117-080202	21	15
26347-060002	10	32
	13	7
	23	11
	25	10
	28	8
26347-080002	1	28
	9	7
	13	8
26487-080252	9	8
26487-080352	2	18
26717-060002	1	16
	4	25
26717-080002	1	29
	12	10
	14	19
		20
	25	11
		15
26737-140002	11	10
26757-080002	13	9
28160-100120	28	2
29411-200000	20	4
7N3810-30290	8	1
7N3810-37000	16	1
7N3810-71500	22	7
7N3810-73000	23	2